

CAM6160

25x Zoom Day&Night Outdoor Speed Dome Network Camera



- 1/4" SONY EXview HAD CCD Sensor
- Up to 752 x 582 Video Resolution
- H.264/MPEG4/MJPEG 2 Simultaneous Video Streams
- Motion Detection and Tampering Detection
- Day/Night Function with IR-Cut Filter
- 25X Optical Zoom and Auto Focus
- IP66 and Wide Temperature for Outdoor Application



Product Specification

Camera	
Image Sensor	1/4" D1 SONY EXview HAD CCD
Lens	3.43 - 85.7 mm varifocal lens, F1.6 (wide) - F3.7 (telephoto)
SNR	50dB
WDR	N/A
Day/Night ICR	Yes
IR LED	N/A
Min Illumination	0.01 Lux @ F1.6 (B/W) 0.1 Lux @ F1.6 (Color)
Iris Control	Automatic / Manual IRIS control
Shutter Time	1/60 ~ 1/10,000 s
Viewing Angle	Diagonal: 68.6°~3.12° Horizontal: 57.8°~2.53° Vertical: 43.7°~1.83°
Camera Angle Adjustment	Pan: 360° endless, 1° - 255°/s Tilt: -6° ~ +96°, 1° - 255°/s
Pan/Tilt/Zoom Functionalities	1. 180° Horizontal Instant Flip 2. 128 preset positions 3. Preset position auto scanning 4. 25x optical zoom and 16x digital zoom, total 400x zoom
Video	
Video Compression	H.264/MPEG-4/MJPEG
Resolution	Up to 720 x 480 580 TV Lines (Monochrome) 520 TV Lines (Color)
Frame Rate	30 fps at D1 (720 x 480) 30 fps at VGA (640 x 480) 30 fps at QVGA (320 x 240) 30 fps at QQVGA (160 x 120)
Video Stream	Dual stream at H.264, MPEG-4, and MJPEG simultaneously
Bit Rate	64K ~ 6Mbps, VBR, CBR, controller frame rate and quality
Video Control	AGC (Auto Gain Control), AWB (Auto White Balance), BLC (Back Light Compensation), Image adjustment, Privacy zone: On/Off (8 zones)
Intelligent Video	Motion detection, tampering detection (blocked, redirected, defocused, or spray-painted)
Video Jack	BNC jack

Audio	
Built-in MIC	N/A
Audio Compression	N/A
Audio Input/Output	N/A
I/O and Event Management	
Alarm In	6, terminal block
Alarm Out	1, terminal block
Video Buffer	N/A
Event Action	Send snapshot or video clip by FTP or email, record to NAS, trigger DO
Network	
Supported Protocols	IPv4, ARP, TCP, UDP, ICMP, DHCP, NTP, DDNS, SMTP, FTP, HTTP, CIFS, PPPoE, UPnP, RTP, RTSP, RTCP, 3GPP
Ethernet	10/100 Base-T / RJ45
System	
Local Storage	N/A
RS-485	1 (2 pin on terminal block)
USB	N/A
SDK	Surveon SDK 2.0
Viewing System	
OS	Microsoft Windows XP/Vista/7
Browser	Microsoft IE 6.0 or above
Software	Surveon VMS 2.4.1
General	
Temperature	Operation: -10°C~ 50°C (14°F~122°F)
Humidity	0 to 90%
Power	24VAC 3A
Power Consumption	Max. 16W (w/o Heater) Max. 25W (w/ Heater)
Dimension (WxHxD)	ø210mm x 326mm (H) ø8.26" x 12.83" (H)
Weight	Net: 3.4kg Gross: 4.0kg
Certification	Safety: LVD EMC: FCC, CE IP66

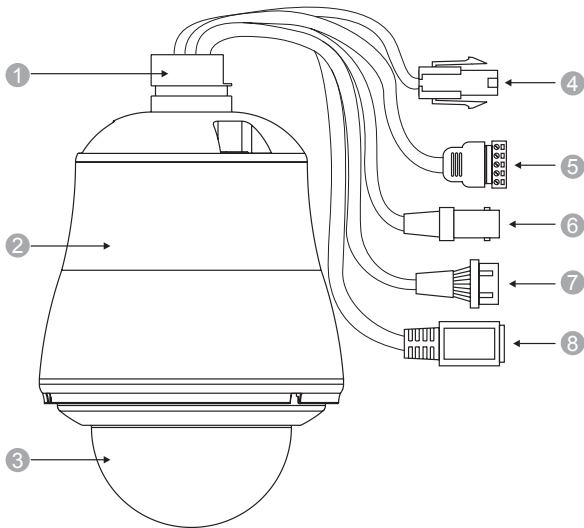
* All specifications are subject to change without notice.
* All brand names and registered trademarks are the property of their respective owners.

CAM6160

25x Zoom Day&Night Outdoor Speed Dome Network Camera

Network Camera

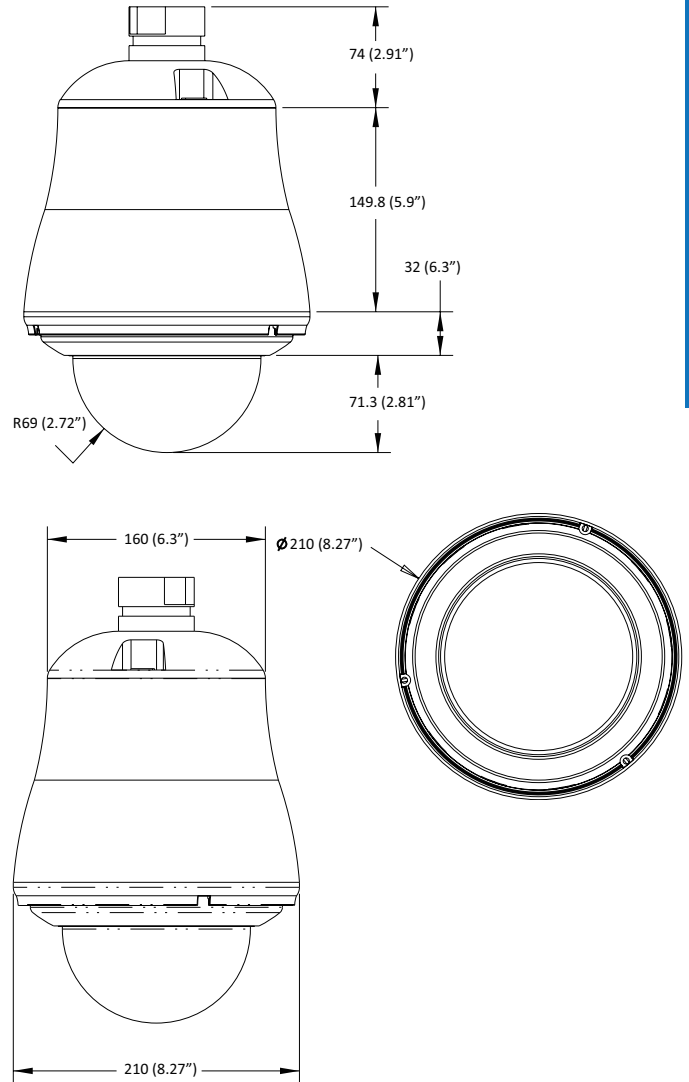
Part Names and Functions



- | | |
|-----------------|--------------------------|
| 1 Upper Base | 5 RS-485 In/Out Terminal |
| 2 Camera Case | 6 Video Out Jack |
| 3 Dome Cover | 7 Alarm In/Out connector |
| 4 Power In Jack | 8 RJ45 Network Connector |

Appearance

Unit:mm(inches)



Package Content

Contents	Quantity
Quick Installation Guide	1
Product DVD	1
CAM6160	1
Decoration Ring	1
Screw Hole Indicator Sticker	1
Anchors and Mounting Screws	3

Ordering Information

Part Number	Description
CAM6160-0050	25x Zoom Outdoor IP Speed Dome with autofocus lens

Optional Accessories

Part Number	Description
ZBracketG-0050	Goose Neck bracket for outdoor speed dome camera
ZBracketH-0050	Hanging type bracket for outdoor speed dome camera
ZBracketI-0050	I type bracket for outdoor speed dome camera
ZBracketB-0050	I type bracket for outdoor speed dome camera
ZZCPMI-0050	Corner & Pole Mount Adaptor for I-type bracket
ZCPMB-0050	Corner & Pole Mount Adaptor for I-type bracket with Box