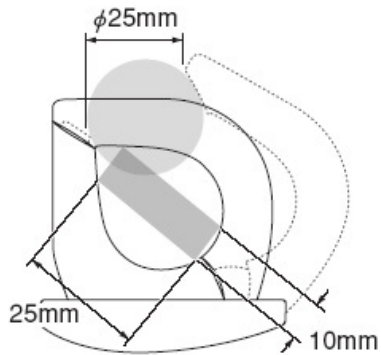


CE



(Backlight ON)

## DCL10 (with carrying pouch)

### ACA mini clamp meter with backlight

- Slim core for narrow space
- Backlight
- Marks to make sure the object is properly clamped
- Data hold
- Auto power off (30min.)

Sampling rate : 2 times / sec.

AC frequency bandwidth : 45~400Hz

Safety : IEC61010-1 (EN61010-1) 2001-02 CAT.III 300V Max. / CAT. II 600V



| Function                          | Measuring range                              | Best accuracy | Resolution |
|-----------------------------------|--|---------------|------------|
| ACA                               | 60/300A                                      | ± (1.5%+5)    | 0.01A      |
| Bandwidth                         | 45~400Hz                                     |               |            |
| Display                           | 6000   |               |            |
| Clamp diameter/<br>Conductor size | 25mm/10×25mm                                 |               |            |
| Withstand voltage                 | Less than 3700Vrms                           |               |            |
| Battery                           | R03×2  |               |            |
| Size / Weight                     | H145×W54×D28mm/approx. 120g                  |               |            |
| Standard accessories included     | Carrying pouch (C-DCL10), Instruction manual |               |            |