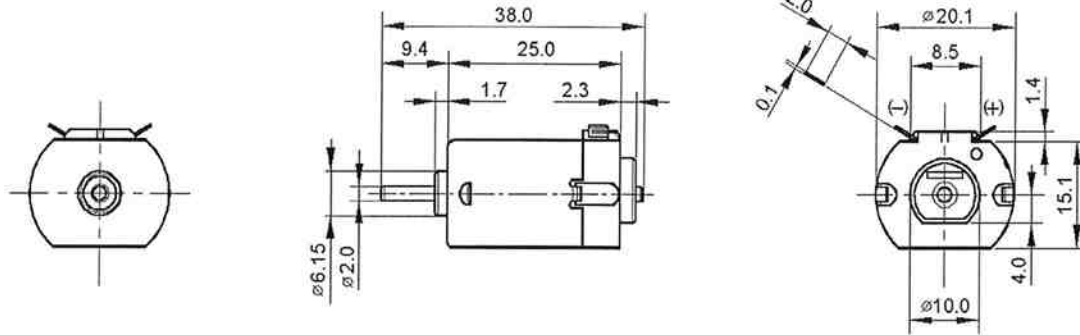


# TECO MOTOR 4WD motor

DIRECTION OF ROTATION



UNIT: MILLIMETRES



**WEIGHT: 17g (APPROX)**

MODEL	VOLTAGE		NO LOAD	
	OPERATION RANGE	NOMINAL	SPEED rpm	CURRENT A
TF10S-3517	1.0~3.0	3.0V CONSTANT	38000 ± 15%	2.3 ± 15%
TF10S-2843	1.0~4.5	3.0V CONSTANT	25000 ± 15%	1.5 ± 15%