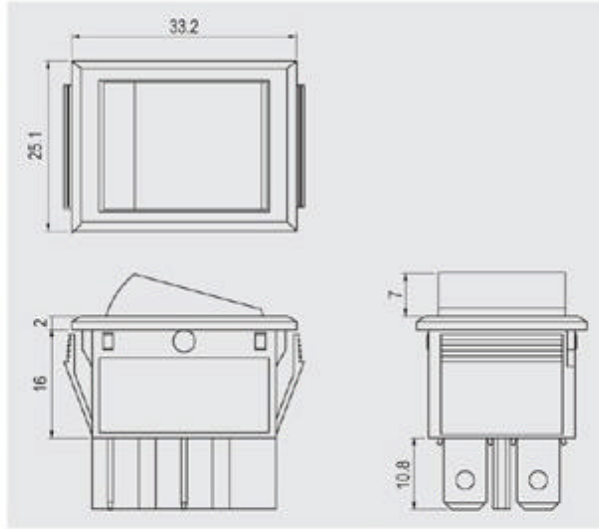


# R13-69



Rating	
16A 125V AC	1/8HP 125VAC
10A 250V AC	1/3HP 250VAC
Contact resistance	
50mΩ Max	
Insulation resistance	
DC 500V 100MΩ Min	
Dielectric strength	
AC 1500V 1 minute	
Cut-out	



Terminal Spacing	X	Y
0.75-1.25	30.2±0.1	22.2±0.1
1.25-2	30.4±0.1	22.2±0.1
2-3	30.8±0.1	22.2±0.1

## FEATURES

- \* MATERIAL: Frames are nylon (UL flame: 94V-2). Terminals are silver plated brass.
- \* Illuminated actuators are molded in PC, available with red, amber and green colors.
- \* Snap-in mounting, easy to install switch into panel.
- \* Waterproof cover is optional.



## R13-69 - [Color Selection]

