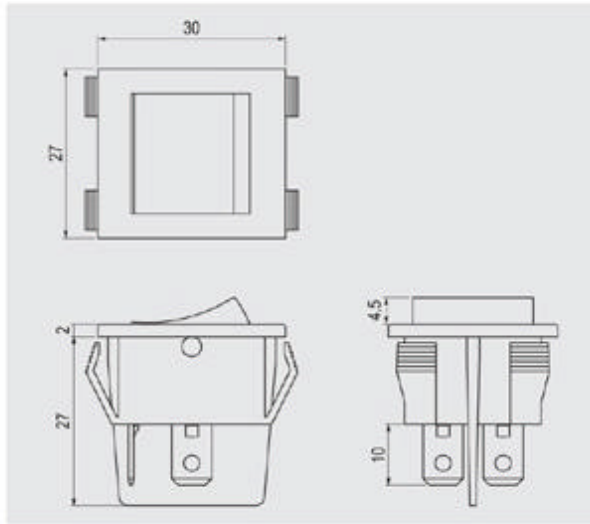


R13-30



| |
|------------------------------|
| Rating |
| 16A 125V AC 10A 250V AC |
| Contact resistance |
| 50mΩ Max |
| Insulation resistance |
| DC 500V 100MΩ Min |
| Dielectric strength |
| AC 1500V 1 minute |
| Cut-out |

| | | |
|--------------------|----------|----------|
| | X | Y |
| $\frac{225}{.225}$ | X | Y |
| 0.75-1.25 | 27.2±0.1 | 22.5±0.1 |
| 1.25-2 | 27.4±0.1 | 22.5±0.1 |
| 2-3 | 27.8±0.1 | 22.5±0.1 |

FEATURES

- * MATERIAL: Frames are nylon (UL flame: 94V-2). Terminals are silver plated brass.
- * Illuminated actuators are molded in PC, available with red, amber and green colors.
- * Snap-in mounting, easy to install switch into panel.

R13-30 -

