

## Ø12 ILLUMINATED PUSH BUTTON SWITCH

KH-5012



### FEATURES

- Wide selection of various operation function
- LED Type for long life
- Various button colors of Red, Green, Yellow and Orange

### MODEL CLASSIFICATION METHOD

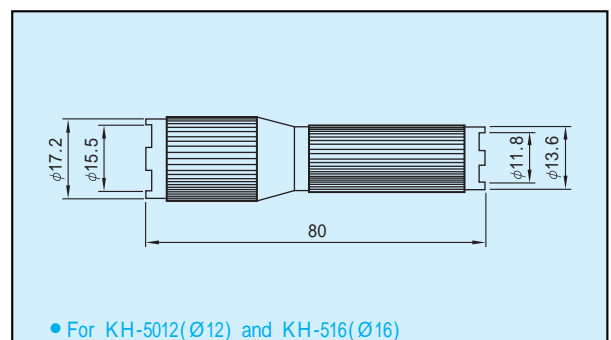
**KH - 5012 - A 1 1 - R**

Company	<b>Koino</b> KUN HUNG
Mounting Hole	Ø12
Button Type	A : Square C : Round
Operation Function	0 : LED Lamp 1 : Illuminated push button 2 : Illuminated push button (Locker Type) 3 : Push button 4 : Push button (Locker Type)
Contact Arrangement	0 : LED Lamp 1 : 1a1b
Button Color	R : Red Y : Yellow G : Green O : Orange

### LED RATING

Classification	LED(Ø3)			
	Red	Green	Yellow	Orange
Operation Voltage	1.75V	2.1V	2.0V	2.0V
Forward Current	25 mA max.			
Operation Current	15~20 mA			
Reverse Voltage	4V			

### FIXING NUT TOOL



# ILLUMINATED PUSH BUTTON

Koino

## Ø12 PILOT LAMP (LED Type)

KH-5012-A00

KH-5012-C00



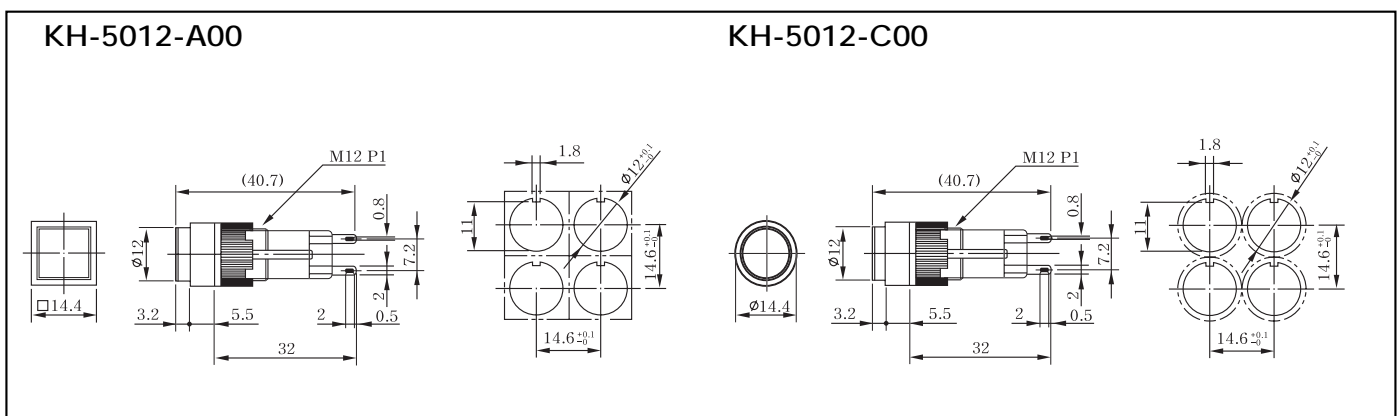
### FEATURES

- LED Type
- Four colors of Red, Green, Yellow and Orange
- Button shape of square, round type

### SPECIFICATIONS

Model No.	KH-5012-A00 KH-5012-C00
Illumination	LED Lamp
Insulation Resistance	Min 100 MΩ (at 500VDC)
Dielectric Strength	1,000VAC (50/60 Hz) for 1 minute
Vibration Resistance	10-55 Hz at double amplitude of 1.5 mm (X,Y,Z directions)
Shock Resistance	Approx. 10G(100 m/s <sup>2</sup> )
Ambient Temperature	-25 +50 (at not freezing)
Ambient Humidity	45 85% RH
Protection	IP 40
Material	Housing : PC          Button : PC
Weight	Approx. 4g

### DIMENSIONS



## Ø 12 ILLUMINATED PUSH BUTTON SWITCH (LED Type)

KH-5012-A11, 21      KH-5012-C11, 21



### FEATURES

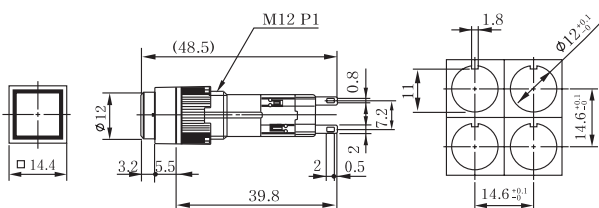
- LED Type for long life
- Various button color of Red, Green, Yellow and Orange
- Button shape of square, round type
- Contact arrangement : 1a1b

### SPECIFICATIONS

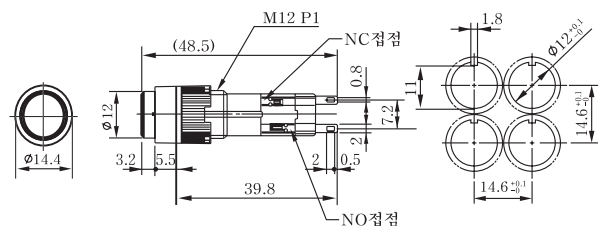
Model No.		KH-5012-A11 KH-5012-C11	KH-5012-A21 KH-5012-C21
Actuator		Push and auto release	Push lock and push release
Illumination		LED Lamp	
Insulation Resistance		Min. 100 MΩ (at 500VDC)	
Dielectric Strength		1,000VAC (50/60 Hz) for 1 minute	
Vibration Resistance		10-55 Hz at double amplitude of 1.5 mm (X,Y,Z directions)	
Shock Resistance		Approx. 10G(100 m/s <sup>2</sup> )	
Contact Arrangement		1a 1b	
Contact Rating(Resistive Load)		1A 250VAC	
Contact Resistance		Max. 30 mΩ (initial)	
Life	Mechanical	Min. 500,000 operations	Min. 200,000 operations
	Electrical	Min. 70,000 operations	
Ambient Temperature		- 25    +50 (at not freezing)	
Ambient Humidity		45    85% RH	
Protection		IP 40	
Material		Housing : PC	Button : PC
Weight		Approx. 5g	

### DIMENSIONS

**KH-5012-A11, 21**



**KH-5012-C11, 21**



# ILLUMINATED PUSH BUTTON

**Koino**

## Ø12 PUSH BUTTON SWITCH

KH-5012-A31, 41

KH-5012-C31, 41



### FEATURES

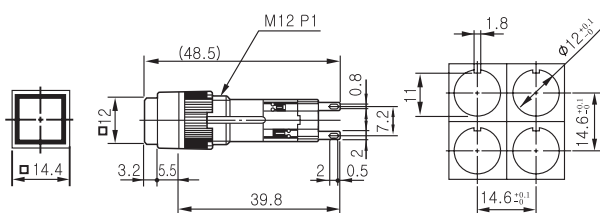
- Various button color of Red, Green, Yellow and Orange
- Button shape of square, round type
- Contact arrangement : 1a1b

### SPECIFICATIONS

Model No.		KH-5012-A31 KH-5012-C31	KH-5012-A41 KH-5012-C41
Actuator		Push and auto release	Push lock and push release
Insulation Resistance		Min. 100 MΩ (at 500VDC)	
Dielectric Strength		1,000VAC (50/60 Hz) for 1 minute	
Vibration Resistance		10~55 Hz at double amplitude of 1.5 mm (X,Y,Z directions)	
Shock Resistance		Approx. 10G(100 m/s <sup>2</sup> )	
Contact Arrangement		1a 1b	
Contact Rating(Resistive Load)		1A 250VAC	
Contact Resistance		Max. 30 mΩ (initial)	
Life	Mechanical	Min. 500,000 operations	Min. 200,000 operations
	Electrical	Min. 70,000 operations	
Ambient Temperature		- 25 +50 (at not freezing)	
Ambient Humidity		45 85% RH	
Protection		IP 40	
Material		Housing : PC	Button : PC
Weight		Approx. 5g	

### DIMENSIONS

KH-5012-A31, 41



KH-5012-C31, 41

