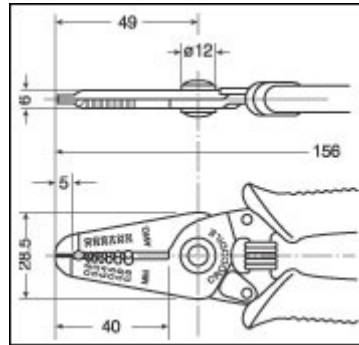


OAL: 156



Material	HRC	Application(AWG)	Application(MM)	Weight (g)	Individual Packing
SK7	50±3°	30,28,26,24,22,20	0.2,0.3,0.4,0.5,0.6,0.8	120	Blister Card