

## ACCESSORIES

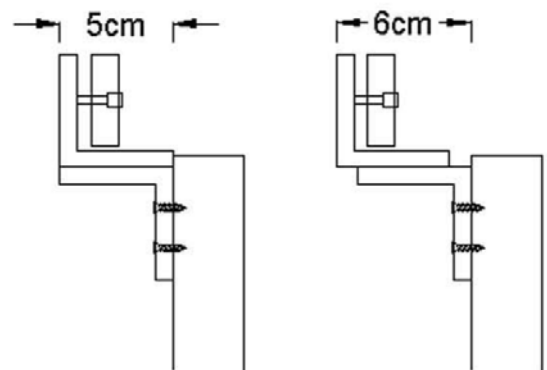
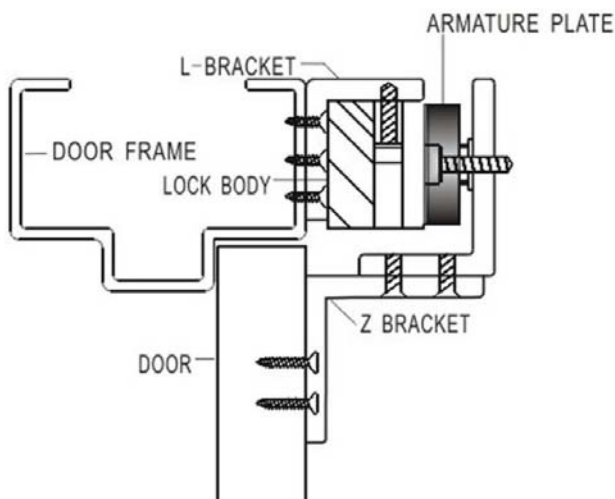
### L-Z BRACKETS

#### SPECIFICATIONS AND TECHNICAL DETAILS

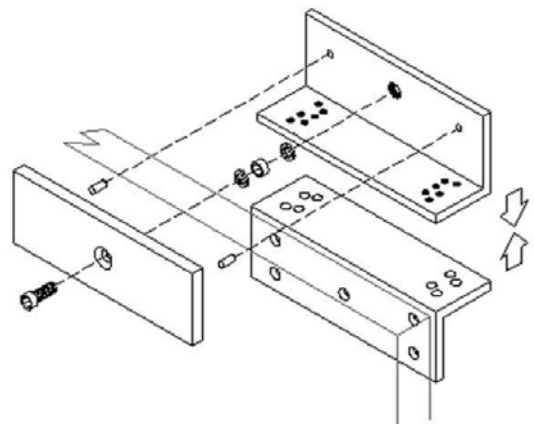
Dimensions: L-bracket - S0 166mmLx42mmWx30mmD  
 S01 250mmLx48mmWx30mmD  
 S02 266mmLx76mmWx38mmD  
 Z-bracket - S0 166mmLx38mmWx38mmD  
 S01 185mmLx45mmWx45mmD  
 S02 185mmLx64mmWx64mmD



#### ■ INSTALLATION OF ACCESSORIES



ADJUSTMENT INSTALLATION OF L-Z BRACKETS



INSTALLATION OF L-Z BRACKETS