

DESCRIPTION

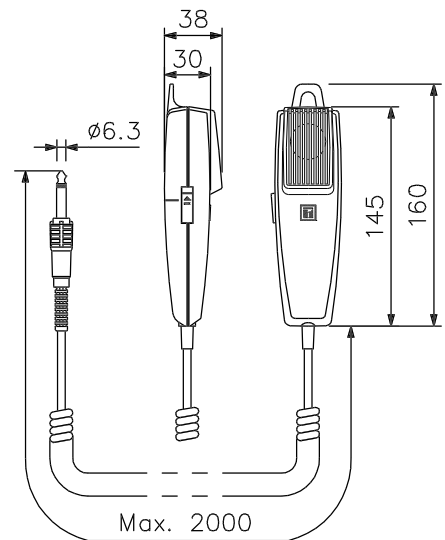
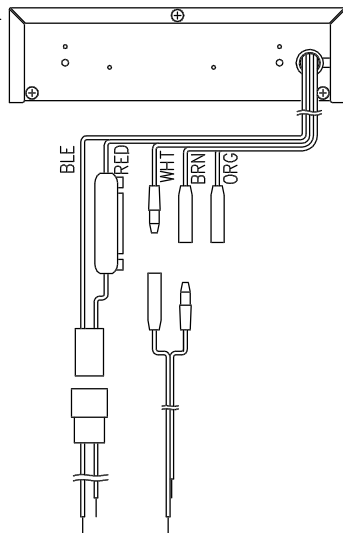
The CA-115 is a 1-DIN size unit 15 W car amplifier designed for use with a 12 V battery car.

SPECIFICATIONS

|                      |   |
|----------------------|---|
| Power Source         | Standard voltage: 14 V DC<br>Usable voltage: 10 – 16 V DC (12 V battery used)   |
| Power Consumption    | 3 A or less at rated output   |
| Rated Output         | 15 W  |
| Output Impedance     | 4 Ω (BRN), 8 Ω (ORG), Common (WHT)<br>Changeable by changing lead wire connections  |
| Distortion           | Less than 5% (at 1,000 Hz rated output)   |
| Frequency Response   | 100 – 10,000 Hz   |
| Input                | Mic1, 2: 600 Ω, 4 mV, phone jack<br>Aux : 10 kΩ, 500 mV, phone jack   |
| Finish               | Front panel: ABS resin, black<br>Case : Zinc plated steel sheet   |
| Dimensions           | 178 (W) × 50 (H) × 132 (D) mm (Mounting device excluded)  |
| Weight               | 900 g   |
| Accessory            | Microphone holder ..... 1, Mounting bracket ..... 1, Mounting screw ..... 1set,<br>Fuse (4 A) ..... 1, Connection cord ..... 1set |
| Accessory Microphone | Unidirectional dynamic type with talk switch<br>Impedance: 600 Ω<br>Sensitivity : -53 dB (1 kHz, 0 dB = 1 V/Pa)                   |

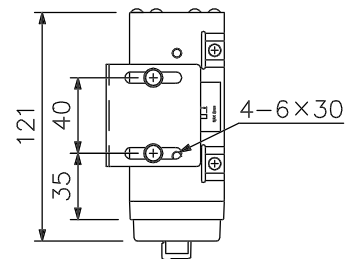
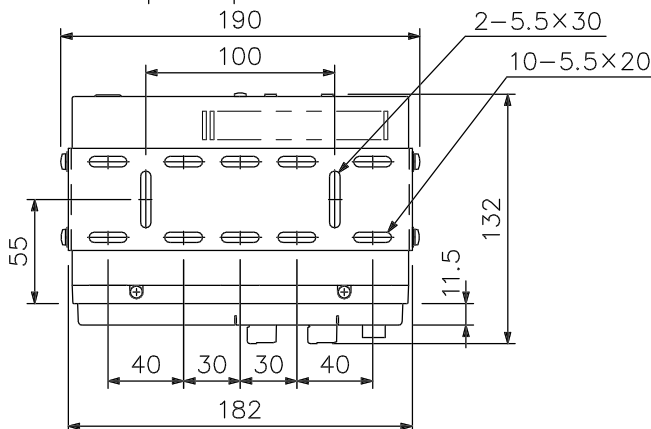
APPEARANCE

Rear View



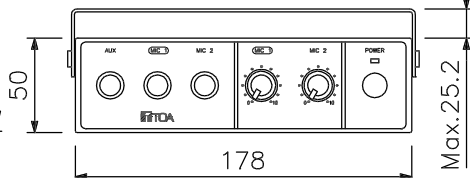
Accessory microphone (1/5)

Top View



Side View

Front View



UNIT:mm SCALE:1/4