

# Video Sentry Color Tilt

DOOR

1

ROOM

3

# KC-1GRD

AUDIO / VIDEO ENTRY SECURITY

## Door station



**KC-DAR**  
Video door station

## Master station



**KC-1GRD**  
Master station

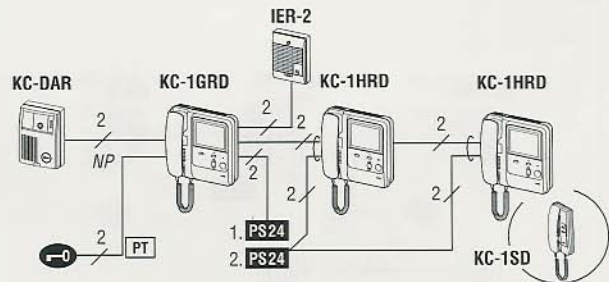
### Power supply

PS-2420S PS-2420UL

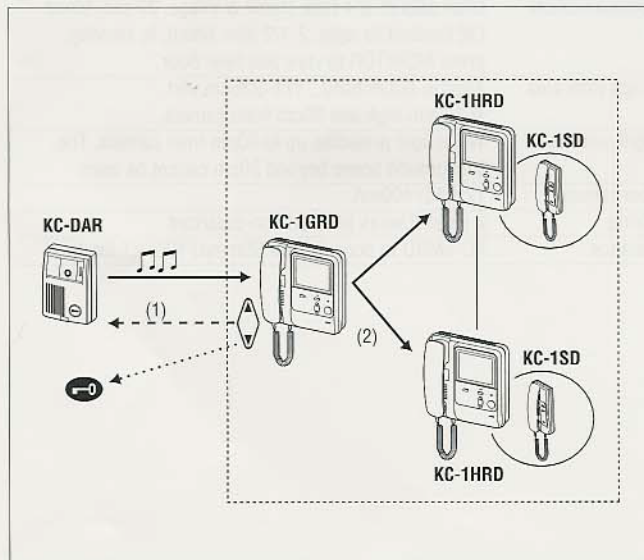
### Features

- VIDEO SENTRY COLOR TILT 1 door - 3 monitors
- INSTANT ON door audio & video
- All call type room calling
- 100m distance between monitors, looped

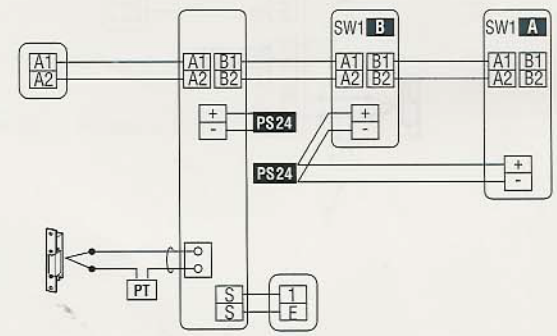
### Wiring



### Communication network



4-tone chime. (1) Tilt camera (2) All call type voice calling (from any).  
Communication on handsets individually.



• Run audio/video wires in a separate jacketed cable from door release wires.  
PS24 1,2 : PS-2420S PS-2420UL PT : AC transformer

**Sub station**



**KC-1HRD**  
Sub master station



**KC-1SD**  
Audio sub station

**Options**



**KA-DGR PANEL**  
Stainless steel housing  
→ P.24



**KC-32EU**  
Picture memory unit  
→ P.28



**IER-2**  
Call extension  
→ P.103



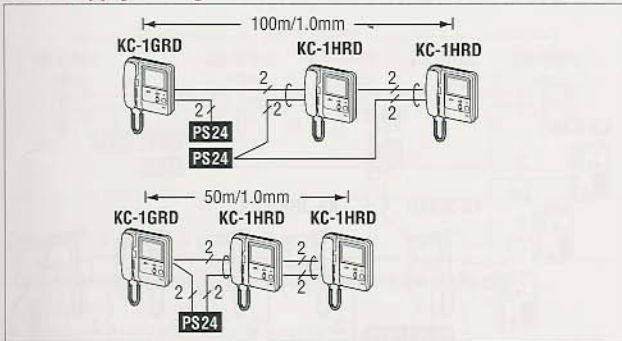
**EL-9S**  
Electric door strike  
→ P.103



**MCW-S**  
Monitor desk stand  
→ P.29

**KAW-D**  
30° angled box  
→ P.29

**Power supply wiring**



- For maximum distance of 100m between monitors, run a separate 2 conductor wire from the power supply to each monitor, or install a power supply at each monitor location.
- When KC-1SD is included, run 4 conductor wire from monitor station.

**Cable**

Vinyl jacketed, PE (polyethylene) insulation cable is recommended. For other types of cables, normal operation and max. communication distance cannot be guaranteed.

**Specifications (KC-1GRD)**

Power source	24V DC
Consumption	KC-1GRD: 450mA. 70mA standby. KC-1HRD: 200mA. 50mA standby. KC-1SD: 70mA. 50mA standby.
Power supply	PS-2420S, PS-2420UL
Video monitor	TFT color LCD
Communication	Door calls in w/4-tone chime, 30 sec. Hear and see door instantly. Pick up at any station to reply, 2-1/2 min. timed. Recycle with MONITOR. Monitor handsfree audio & image of door w/MONITOR. Press ALL CALL to call the other w/pretone & voice. Lift either handset to reply.
Image view area	Approx. 60cm Horiz., 111~235cm Vert. at 50cm in front of camera at 130cm high.
Night viewing	Up to 30cm from camera, with white LED projected. Background scene beyond 30cm cannot be seen.
Door release	Contact rating: 12V AC, 400mA.
Wiring	2 parallel wires to door, non-polarized. 2 wires in loop between monitors, plus 2 wires separately run from power supply.
Distance	KC-1GRD to door 50m(0.65mmø) 100m(1.0mmø) KC-1GRD-KC-1HRD farthest 50m(0.65mmø) 100m(1.0mmø) KC-1GRD-IER-2 50m(0.65mmø) 100m(1.0mmø)

**Unit dimensions**

