

IP Cabling Transmission

IP03

Active IP Extender over CAT5

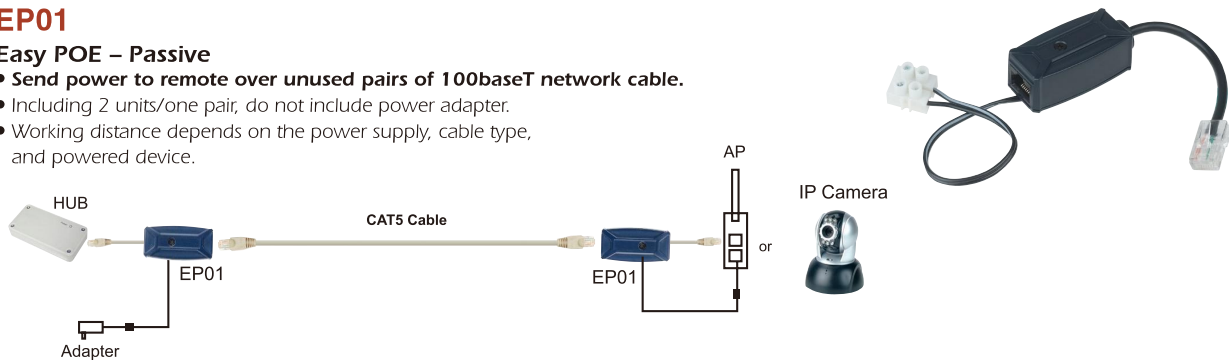
- Identical to IP02, but over CAT5 cable instead of coaxial cable.
- Long range transmission up to 1200 meters (Max.)



EP01

Easy POE – Passive

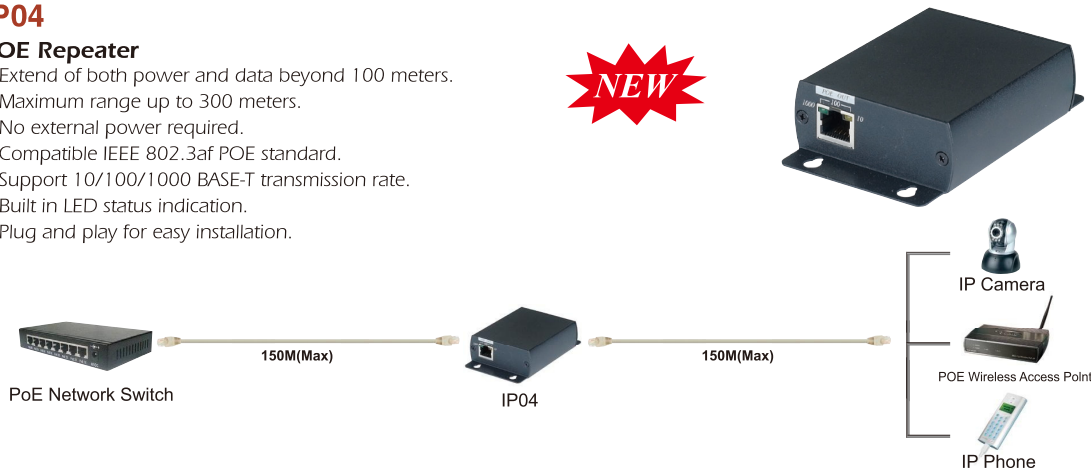
- Send power to remote over unused pairs of 100baseT network cable.
- Including 2 units/one pair, do not include power adapter.
- Working distance depends on the power supply, cable type, and powered device.



IP04

POE Repeater

- Extend of both power and data beyond 100 meters.
- Maximum range up to 300 meters.
- No external power required.
- Compatible IEEE 802.3af POE standard.
- Support 10/100/1000 BASE-T transmission rate.
- Built in LED status indication.
- Plug and play for easy installation.



IP05

POE Kit For DC5V/DC12V IP Camera

- Include IP05I POE injector and IP05S POE splitter.
- Compatible IEEE 802.3af (12.95W) POE standard, PSE/PD.
- IP05I provides DC 48V power over RJ-45 Ethernet cable to device with Ethernet port.
- IP05S splits the DC48V power over RJ-45 Ethernet cable into DC 5V/12V output.
- Adjustable two different output voltage options (5V/2A, 12V/1A) to fit various devices.
- Supports POE power up to 12.95 Watts for POE port.
- Support 10/100/1000 BASE-T transmission rate.
- Power input LED indication.
- Distance up to 100 meters.

