

VHF-UHF-BS-CS DIRECTIONAL COUPLERS F-type Connector In to Out Terminal Power Passing

- Indoor Use
- Zinc Die-casting Housing
- 1A at lower than 15V DC or 30V AC



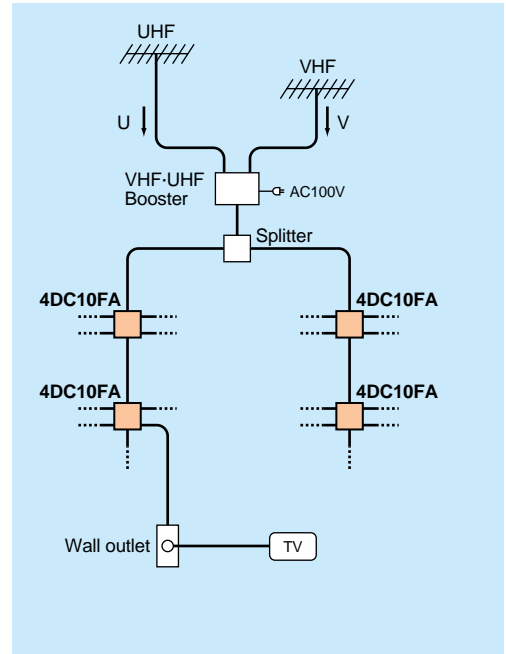
1DC10FA, 2DC10FA, 4DC10FA : 2600MHz Band Supported



1DC10F



4DC10FA

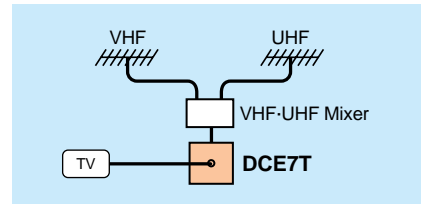


Directional Type	Model	Impedance (Ω)			Max. Insertion Loss (dB)					Max. Tap Value (dB)					Min. Isolation Tap-to-Out (dB)				Min. Isolation Tap-to-Tap (dB)				Max. VSWR				Dimensions H×W×D (mm)
		IN	OUT	BR	10 to 76 MHz	76 to 222 MHz	222 to 770 MHz	770 to 1336 MHz	1336 to 2150 MHz	10 to 76 MHz	76 to 222 MHz	222 to 770 MHz	770 to 1336 MHz	1336 to 2150 MHz	10 to 76 MHz	76 to 222 MHz	222 to 770 MHz	770 to 1336 MHz	1336 to 2150 MHz	10 to 76 MHz	76 to 222 MHz	222 to 770 MHz	770 to 1336 MHz	1336 to 2150 MHz			
1-way	1DC10F	75 (F-type)			1.5	1.3	1.3	1.6	2.4	10.2	10.7	12.7	18	25	20	18	16	15	20	18	15	1.8	2	53 × 52 × 21			
2-way	2DC10F	75 (F-type)			2.3	1.9	2.2	2.6	4.7	11.1	11	11.5	11.7	12.9	18	25	20	18	16	15	20	18	15	1.8	2	53 × 74 × 21	
4-way	4DC10F	75 (F-type)			4.1	3.6	3.9	4.6	4.8	11.3	11.7	12.7	15.8	18	25	20	18	16	15	20	18	15	1.8	2	53 × 74 × 21		

Directional Type	Model	Impedance (Ω)			Max. Insertion Loss (dB)						Max. Tap Value (dB)						Min. Isolation Tap-to-Out (dB)				Min. Isolation Tap-to-Tap (dB)				Max. VSWR				Dimensions H×W×D (mm)
		IN	OUT	BR	10 to 76 MHz	76 to 222 MHz	222 to 770 MHz	770 to 1336 MHz	1336 to 2150 MHz	2150 to 2602 MHz	10 to 76 MHz	76 to 222 MHz	222 to 770 MHz	770 to 1336 MHz	1336 to 2150 MHz	2150 to 2602 MHz	10 to 76 MHz	76 to 222 MHz	222 to 770 MHz	770 to 1336 MHz	1336 to 2150 MHz	2150 to 2602 MHz	10 to 76 MHz	76 to 222 MHz	222 to 770 MHz	770 to 1336 MHz	1336 to 2150 MHz		
1-way	1DC10FA	75 (F-type)			1.7	1.5	2	2.5	3.5	12	13	14	15	18	25	20	18	16	15	20	18	15	2	1.8	2	2.5	53 × 52 × 21		
2-way	2DC10FA	75 (F-type)			2.7	2.5	3	3.5	5	5.5	12	13	14	15	16	18	25	20	18	16	15	20	18	15	2	1.8	2	2.5	53 × 52 × 21
4-way	4DC10FA	75 (F-type)			4.2	4	5	6	6.5	7	12	13	14	17	18	18	25	20	18	16	15	20	18	15	2	1.8	2	2.5	53 × 74 × 21

VHF-UHF WALL OUTLETS European type

DCE:47 to 800MHz DCE-M:47 to 860MHz



VHF L: 47 to 108MHz H: 167 to 250MHz UHF L: 470 to 580MHz M: 580 to 690MHz H: 690 to 800MHz

Type	Model	Impedance (Ω)			Number of TV Outlets	Max. Insertion Loss (dB)					Max. Tap Value (dB)			Min. Isolation Tap-to-Out (dB)		Min. Isolation Tap-to-Tap (dB)		Max. VSWR		Dimensions H×W×D (mm)
		IN	OUT	TV		VHF L	VHF H	UHF L	UHF M	UHF H	VHF	UHF	VHF	UHF	VHF	UHF				
Tap-off	DCE7	75			1	0.8	2	3.5	5	11	12	30	18	—	—	1.3	2	86×86×23		
Tap-off with Terminator	DCE7R	75				—	—	—	—	9	10	—	—	—	—	—	—			
Terminal	DCE7T	75			2	0.2	2.5	6	7	—	—	30	18	25	2	—	—			
Tap-off	DCE77	75				1.2	2	2.5	4	12	13	15	18	—	—	—	—			
Tap-off with Terminator	DCE77R	75			2	—	—	—	—	11	13	18	—	—	—	—	—	—		
Terminal	DCE77T	75				3.7*	5*	6.5*	—	—	—	—	—	—	—	—	—			

* Splitting Loss

VHF L: 47 to 68MHz FM: 87.5 to 104MHz H: 167 to 250MHz UHF L: 470 to 580MHz M: 580 to 690MHz H: 690 to 860MHz

Type	Model	Impedance (Ω)		Number of TV Outlets	Max. Insertion Loss (dB)						Min. Out-of-Band Rejection (dB)	Max. VSWR			Dimensions H×W×D (mm)
		IN	OUT		VHF L	VHF FM	VHF H	UHF L	UHF M	UHF H		VHF	FM	H	
Terminal	DCE7TM	75		1	0.2	0.3	0.6	0.8	0.9	—	1.4	—	—	86×86×23	
Terminal	DCE77TM	75		2	0.7	—	0.7	0.8	1	1.2	15	1.4	—		1.4
					—	1.3	—	—	—		—	2	—		