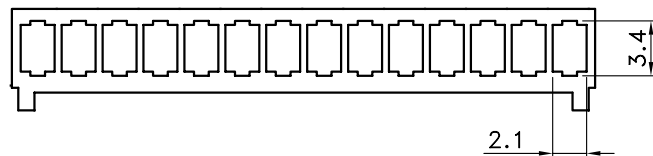
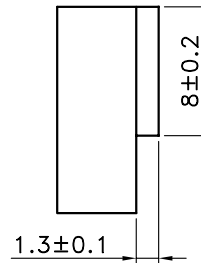
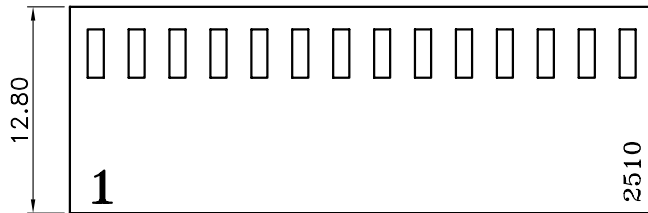
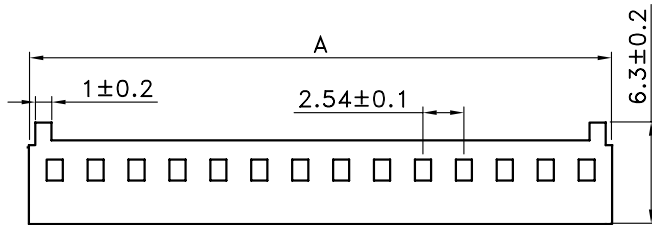


2218T


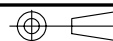
SPECIFICATION

CURRENT RATING: 3A AC,DC
 VOLTAGE RATING: 250V AC,DC
 TEMPERATURE RANGE: -25°C TO +85°C
 (INCLUDING TEMPERATURE RISE)
 CONTACT RESISTANCE: INITIAL VALUE/10M OHM MAX.
 AFTER ENVIRONMENTAL TESTING/20M OHM MAX.
 INSULATION RESISTANCE: 1,000M OHM MIN.
 WITHSTANDING VOLTAGE: 1,000V AC/MINUTE
 MATERIAL AND FINISH
 CONTACT: BRASS, TIN-PLATED
 HOUSING: NYLON 66, UL94V-0
 POST: COPPER ALLOY, COPPER-UNDERCOATED, TIN/LEAD PLATED
 WAFER: NYLON 66, UL94V-0
 APPLICABLE WIRE: AWG #28 TO #22
 APPLICABLE PC BOARD THICKNESS: 1.0±0.05
 AVAILABLE NUMBER OF CIRCUITS: 2 TO 20
 PC BOARD MOUNTING DIRECTION: STRAIGHT, RIGHT-ANGLE



CIRCUITS	DIM.A	CIRCUITS	DIM.A
1	3.10	11	28.50
2	5.60	12	31.00
3	8.10	13	33.50
4	10.70	14	36.10
5	13.20	15	38.60
6	15.80	16	41.10
7	18.30	17	43.60
8	20.90	18	46.10
9	23.40	19	48.60
10	25.90	20	51.10

A
B
C
D

F				DRAWN: Jerry Chen	GENERAL TOLERANCE: .X=±0.2 .XX=±0.15	 繼德工業股份有限公司 Neltron Industrial Co., Ltd.	DESCRIPTION: 2.54MM HOUSING & TERMINAL	SIZE A4
E								
D				CHECKED: Ruby	UNIT: MM	PART NO: 2218H-XX		
C					SCALE:			
B				APPROVAL: Mike Wu	SHEET: 1 / 1			
A	07-17-2002	2218H-XX	Jerry Chen		PROJECTION: 			
REV	DATE	FILE	BY					