

FEIN Power Tools 2006

Powered by innovation





MULTIMASTER SELECT

Order no.: 72292750017

Bauart: MSxe 636 II SELECT (available 230 V only)

Weight:	1,1 kg
Input:	180 W
Oscillations:	12 000-21 000 R.P.M
Cable with plug:	5 m
Sanding plate above corner:	80 mm

Price includes:

- 1 sanding pad
- 5 sanding sheets each grit size 60, 80, 120, 180
- 1 fixed spatula
- 1 HSS segment saw blade
- 1 E-Cut saw blade (35 mm)
- 1 HM segment saw blade
- 1 key
- tensioning screws

At a glance:

- Professional sawing, grinding, scraping, dividing, rough machining, polishing, cutting, concrete compression, and lots more, all with a single machine.
- Unlimited applications due to oscillating movement.
- Variable electronic speed control for sensitive screwdriving applications.
- Very easy to handle due to its ergonomic design and light weight.
- Comprehensive accessories range available.

MULTIMASTER START

Order no.: 72292600231

Bauart: MSx 636 II START



Weight:	1,1 kg
Input:	180 W
Oscillations:	21 000 R.P.M
Cable with plug:	5 m
Sanding plate above corner:	80 mm

Price includes:

- 1 sanding pad
- 5 sanding sheets each grit size 60, 80, 120, 180
- 1 fixed spatula
- 1 E-Cut saw blade (35 mm)
- 1 key
- tensioning screws

At a glance:

- Unlimited applications due to oscillating movement.
- Very easy to handle due to its ergonomic design and light weight.
- Comprehensive accessories range available.

MULTIMASTER cordless

Order no.: 71290200231

Bauart: MSx 315



Current/Voltages:	9,6 V
Oscillations:	14 500 R.P.M
Sanding plate above corner:	80 mm
Weight with battery:	1,1 kg

Price includes:

- 1 sanding pad
- 5 sanding sheets each grit size 60, 80, 120, 180
- 1 HSS segment saw blade
- 1 fixed spatula
- 1 battery (800 mAh)
- 1 battery charger
- 1 key
- tensioning screws

At a glance:

- Professional sawing, grinding, scraping, dividing, rough machining, polishing, cutting, concrete compression, and lots more, all with a single machine.
- Very easy to handle due to its ergonomic design and light weight.
- Battery operated, so you have unrestricted freedom of action.
- Identical capabilities as the mains-powered FEIN MULTIMASTER.
- Continuous operation possible with a second storage battery.
- Long-life, rapid-charge FEIN storage batteries with intelligent charging technology.
- Comprehensive accessories range available.

SUPERCUT

Order no.: 75360200004

Bauart: MOtlx 6-24



Weight:	1,1 kg
Operating pressure:	6 bar
Oscillations:	20 000 R.P.M
Hose size & Oslash;:	8 mm
Air consumption:	0,66 m

3

Price includes:

- 1 metal tool case
- 1 key
- 1 sharpening stone (6 37 19 010 01 4)

At a glance:

- Hexagon tool clamp with positive link between machine and tool
- No air leaks, no oil misting in working area.
- Available with a comprehensive range of accessories for professional use in many industry sectors.

SUPERCUT CONSTRUCTION

Order no.: 72363200234

Bauart: FSC 2.0



Weight:	1,25 kg
Output:	220 W
Input:	400 W
Oscillations:	11 000-18 500 R.P.M
Cable with plug:	5 m

Price includes:

- 1 FEIN SUPERCUT CONSTRUCTION in metal tool case
- 1 sharpening stone (6 37 19 010 01 4)
- 1 Mounting bolt (3 30 01 039 01 7)
- 1 Wrench (6 29 07 037 00 3)

At a glance:

- Optimally compiled sets available for glaziers/window installers, carpenters/interior fitters, tilers/plumbers, and grouting renewers.
- Fast, reliable, and easy-to-use system.
- Durable 400 Watt HIGH-POWER MOTOR for outstanding performance and stability.
- Infinitely variable electronic cutting frequency control
- Hexagon tool clamp with positive link between machine and tool

SUPERCUT AUTOMOTIVE

Order no.: 72363100238

Bauart: FSC 1.6



Weight:	1,3 kg
Output:	220 W
Input:	400 W
Oscillations:	11 000-18 500 R.P.M
Cable with plug:	5 m

Price includes:

- 1 metal tool case
- 1 sharpening stone (6 37 19 010 01 4)
- 1 Mounting bolt (3 30 01 039 01 7)
- 1 key

At a glance:

- Optimally tailored sets for automobile glaziers, car workshops, and for the cargo sector.
- Fast, reliable, and easy-to-use system.
- High-performance 400 watt motor for high cutting speeds.
- Infinitely variable electronic cutting frequency control
- Hexagon tool clamp with positive link between machine and tool



Magnetic Core Drill Unit up to 32 mm

Order no.: 72702700235

Bauart: KBM 32 Q

Weight:	10 kg
Output:	450 W
Input:	700 W
Speed, full load:	440 R.P.M
Core drill:	12-32 mm
Magnetic holding power:	9000 N
Cable with plug:	4 m
Total stroke range:	260 mm
Drilling depth max.:	50 mm
Height (drill jigs):	373 mm
Threaded drill:	M 12
Stroke:	135 mm
Magnetic foot dimensions:	160 x 80 mm
Twist drill (with drill chuck):	13 mm
Chuck:	QuickIN
Capacity in steel max. & Oslash;:	

Price includes:

- 1 storage box
- 1 cooling lubricant pump
- 1 lashing strap
- 1 swarf hook
- 1 key-type drill chuck
- 1 QuickIN adaptor for M18 x 6 P 1.5
- 2 centering pins

At a glance:

- QuickIN rapid change system for fast, keyless tool changes.
- Very easy to handle due to its compact construction and light weight.
- Robust and accurate dual dove-tail guide
- Infinitely variable stroke range setting for fast and safe tool changes, without need to remove core drill unit from the tool.
- Electronic overload cut-out if the drilling pressure is too high for protection of motor and tool.
- MagnetMonitorSystem guarantees long service life of the magnetic coils.
- Integral cooling lubricant for clean cutting and long tool life.

Magnetic Core Drill Unit up to 50 mm

KBM 50 Q
QuickIN, FEIN HIGH-POWER MOTOR

Order Reference		7 270 30
Type		KBM 50 Q
Input	W	1200
Output	W	680
Speed, full load	R.P.M	260/520
Cable with plug	m	4
Weight	kg	12
Capacity in steel max. Ø		
Core drill	mm	12-50
Twist drill (with drill chuck)	mm	20 (13)
Threaded drill		M 16
Drilling depth max.	mm	50
Chuck		QuickIN
Magnetic holding power		
	N	11 000
Height (drill jigs)	mm	368
Stroke	mm	135
Total stroke range	mm	310
Magnetic foot dimensions	mm	180 x 90

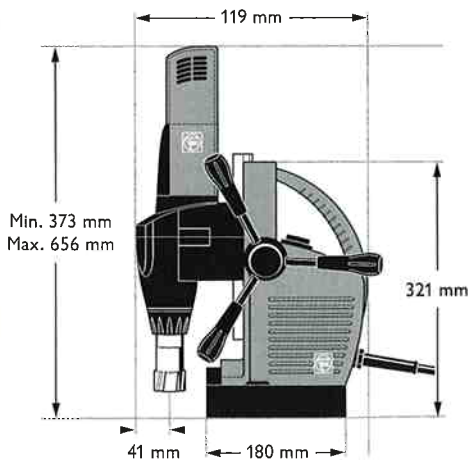
Price includes:

1 storage box, 1 cooling lubricant pump, 1 lashing strap, 1 swarf hook, 1 3-jaw chuck up to Ø 13 mm, 1 QuickIN adaptor for M18 x 6 P 1.5, 2 centering pins



AT A GLANCE

- QuickIN rapid change system for fast, keyless tool changes.
- Very easy to handle due to its compact construction and light weight.
- Robust and accurate dual dove-tail guide
- Infinitely variable stroke range setting for fast and safe tool changes, without need to remove core drill unit from the tool.
- MAGNETMONITORSYSTEM guarantees long service life of the magnetic coils.
- Electronic overload cut-out if the drilling pressure is too high for protection of motor and tool.
- Integral cooling lubricant for clean cutting and long tool life.



**Quick IN**


**HIGH
POWER
MOTOR**

Nibbler up to 1.6 mm

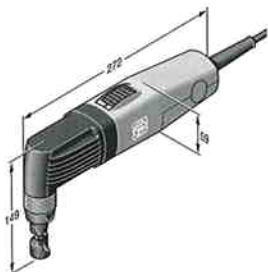
BLK 1.6
FEIN HIGH-POWER MOTOR, QuickIN

Order Reference		7 232 32
Type		BLK 1.6
Input	W	350
Output	W	210
Strokes	R.P.M	1500
Cutting speed	m/min	1,9
Cable with plug	m	5
Weight	kg	1,8

Max. cutting capacity		
Steel up to 400 N/mm ²	mm	1,6
Steel up to 600 N/mm ²	mm	1,0
Steel up to 800 N/mm ²	mm	0,7
Non-ferrous metals		
up to 250 N/mm ²	mm	2,5
Immersion Ø with die	mm	22
Cutting width	mm	5
Rad. of smallest curve (inside/outside)	mm	30/35

Price includes:

1 die holder for sheet metal and corrugated sheet metal



AT A GLANCE

Flexible nibbler for thin sheet metals, trapezoidal sheet metals, corrugated sheet metals and profiles.

- QuickIN for a fast change of punch and die.
- Very low operating costs by die and punch with long service life.
- Cutting direction adjustable by 360 degrees in 45-degree steps without tools.
- Optimal ergonomics.
- HIGH-POWER-MOTOR for unmatched performance and durability.
- Profile set for all deep-channel sheet metals.

Accessories on page 209.

Angle Polisher 1200 W

Order no.: 72209100230

Bauart: WPO 12-27 E



Weight:	2.3 kg
Output:	750 W
Input:	1200 W
Speed, no load:	900-2700 R.P.M
Mounting thread:	M 14
Polishing disc & Oslash;:	250 mm
Cable with plug:	4 m

Price includes:

1 additional handle

At a glance:

- HIGH-POWER-MOTOR for unmatched performance and durability.
- Self-start lock prevents uncontrolled reactivation following power supply interruption.
- Variable electronic speed control for optimum application.
- With work arbor also suitable for use as a professional longitudinal satin-finisher.
- Maximum speed stability irrespective of the load, throughout the entire setting range.
- Ergonomic grip-hood for fatigue-free and comfortable working.
- Spindle brake for quick tool changes.
- Accessory sets available for a board range of application.
- Gentle start for recoil-free and safe starting.
- Used in conjunction with the angle grinder WSG 12-70 E, makes an ideal surface finishing treatment combination.



Vacuum Cleaner 1300 W

Order no.: 92020223011

Bauart: Dustex II

Weight:	7 kg
Input:	1300 W
Air flow:	3300 l/min
Cable with plug:	6 m
Container volume:	24 l
Socket connection max.:	2000 W
Max. vacuum:	230 mbar

Price includes:

- 1 suction hose, 5 m, Ø 36 mm
- 1 floor nozzle
- 2 extension pipes
- 1 groove nozzle
- 1 upholstery nozzle
- 1 adapter for FEIN power tools
- 1 universal power tool adapter
- 1 filter bag

At a glance:

- The ideal addition to the FEIN MULTIMASTER.
- Compact size.
- Optimally suited for shop, car, hobby or as auxiliary tool.
- For wet or dry conditions.
- For little to medium amounts of dust.
- Automatic on/off.



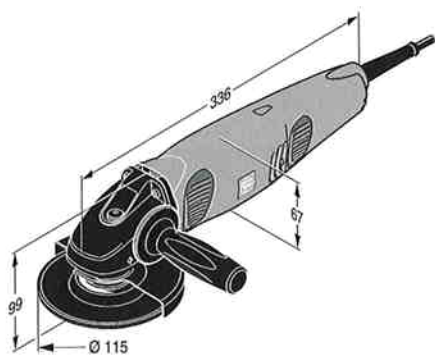
■ Compact angle grinders, Ø 115 mm - EVO 800

WSG 8-115
TipStart, HIGH-POWER MOTOR

Order Reference	7 221 21	
Type	WSG 8-115 (available 230 V only)	
Input	W	800
Output	W	550
Speed, no load	R.P.M	10 000
Cable with plug	m	4
Weight	kg	1,7
Grinding disc Ø	mm	115
Elast. Backing pad Ø	mm	115
Mounting thread		M 14

Price includes:

1 wheel guard, 1 pair of flanges, 1 additional handle, 1 key



AT A GLANCE

Highly versatile compact angle grinder with M 14 spindle for grinding and sanding.

- Unique convenience with the FEIN TipStart switch concept without a conventional switch.
- Outstanding handiness in single- and two-hand operation by optimal ergonomic design.
- Trend setting safety features such as integrated dead-man's handle, self-start lock, restart lock, and soft start.
- Long service life due to extremely robust, self-contained motor construction without fault-prone switches.
- HIGH-POWER-MOTOR with enormous torque for high grinding capacity.



reddot design award
winner 2005



Compact angle grinders, Ø 115 mm - EVO 800

WSB 8-115
TipStart, EBS, QuickIN, HIGH-POWER MOTOR

Order Reference		7 221 20
Type		WSB 8-115 (available 230 V only)
Input	W	800
Output	W	550
Speed, no load	R.P.M	10 000
Cable with plug	m	4
Weight	kg	1,8
Grinding disc Ø	mm	115
Elast. Backing pad Ø	mm	115
Mounting hole Ø	mm	22,23

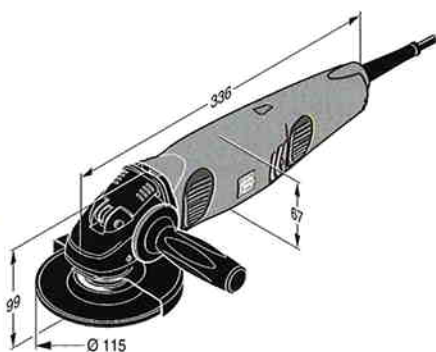
Price includes:

1 wheel guard, 1 clamp for flexible grinding/cutting discs, 1 additional handle

AT A GLANCE

Highly versatile compact angle grinder for grinding and sanding.

- Unique convenience with the FEIN TipStart switch concept without a conventional switch.
- Outstanding handiness in single- and two-hand operation by optimal ergonomic design.
- Trend setting safety features such as electric brake system EBS, rapid clamping system QuickIN, integrated dead-man's handle (optional), self-start lock, restart lock, and soft start.
- Long service life due to extremely robust, self-contained motor construction without fault-prone switches.
- HIGH-POWER-MOTOR with enormous torque for high grinding capacity.
- Also available with dead-man's handle for maximum safety (7 221 35).



QuickIN core drill

HM ULTRA core drill with QuickIN-adaptor

Effective length 35 mm



L mm	Bore Ø mm	Order Reference
77	12	6 31 27 086 01 9
77	13	6 31 27 087 01 3
77	14	6 31 27 088 01 1
77	15	6 31 27 089 01 5
77	15,5	6 31 27 238 01 1
77	16	6 31 27 090 01 7
77	17	6 31 27 091 01 6
77	17,5	6 31 27 239 01 5
77	18	6 31 27 092 01 9
77	19	6 31 27 093 01 3
77	19,5	6 31 27 240 01 7
77	20	6 31 27 094 01 1
77	21	6 31 27 095 01 5
77	22	6 31 27 096 01 8
77	23	6 31 27 097 01 2
77	24	6 31 27 098 01 0
77	25	6 31 27 099 01 4
77	26	6 31 27 100 01 5
77	26,5	6 31 27 241 01 6
77	27	6 31 27 101 01 4
77	28	6 31 27 102 01 7
77	29	6 31 27 103 01 1
77	30	6 31 27 104 01 9
77	31	6 31 27 105 01 3
77	32	6 31 27 106 01 6
77	33	6 31 27 107 01 0
77	34	6 31 27 108 01 8
77	35	6 31 27 109 01 2
77	36	6 31 27 110 01 4
77	37	6 31 27 111 01 3
77	38	6 31 27 112 01 6
77	39	6 31 27 113 01 0
77	40	6 31 27 114 01 8
77	41	6 31 27 115 01 2
77	42	6 31 27 116 01 5
77	43	6 31 27 117 01 9
77	44	6 31 27 118 01 7
77	45	6 31 27 119 01 1
77	46	6 31 27 120 01 3
77	47	6 31 27 121 01 2
77	48	6 31 27 122 01 5
77	49	6 31 27 123 01 9
77	50	6 31 27 124 01 7
77	51	6 31 27 125 01 1
77	52	6 31 27 126 01 4
77	53	6 31 27 127 01 8
77	54	6 31 27 128 01 6
77	55	6 31 27 129 01 0
77	56	6 31 27 130 01 2
77	57	6 31 27 131 01 1
77	58	6 31 27 132 01 4
77	59	6 31 27 133 01 8
77	60	6 31 27 134 01 6
77	61	6 31 27 135 01 0
77	62	6 31 27 136 01 3
77	63	6 31 27 137 01 7
77	64	6 31 27 138 01 5
77	65	6 31 27 139 01 9

HM ULTRA core drill set

consisting of 6 QuickIN core drills HM ULTRA, Ø 14, 16, 18, 20, 22, 26 mm and centring pin in plastic carrying case.



Order Reference 6 31 27 088 02 7

HSS DURA core drill with QuickIN-adaptor

Surface tempering for optimum service life and best glide properties as well as 5 % cobalt alloy. Effective length 35 mm



L mm	Bore Ø mm	Order Reference
77	12	6 31 27 140 01 1
77	13	6 31 27 141 01 0
77	14	6 31 27 142 01 3
77	15	6 31 27 143 01 7
77	16	6 31 27 144 01 5
77	17	6 31 27 145 01 9
77	18	6 31 27 146 01 2
77	19	6 31 27 147 01 6
77	20	6 31 27 148 01 4
77	21	6 31 27 149 01 8
77	22	6 31 27 150 01 0
77	23	6 31 27 151 01 9
77	24	6 31 27 152 01 2
77	25	6 31 27 153 01 6
77	26	6 31 27 154 01 4
77	27	6 31 27 155 01 8
77	28	6 31 27 156 01 1
77	29	6 31 27 157 01 5
77	30	6 31 27 158 01 3
77	31	6 31 27 159 01 7
77	32	6 31 27 160 01 9

HSS DURA core drill set

consisting of 6 QuickIN core drills HSS DURA, Ø 14, 16, 18, 20, 22, 26 mm and centring pin in plastic carrying case.



Order Reference 6 31 27 142 02 9

HSS core bits with QuickIN adaptor

5% cobalt alloy for long service life. Effective length 35 mm



L mm	Bore Ø mm	Order Reference
77	12	6 31 27 194 01 0
77	13	6 31 27 195 01 4
77	14	6 31 27 196 01 7
77	15	6 31 27 197 01 1
77	16	6 31 27 198 01 9
77	17	6 31 27 199 01 3
77	18	6 31 27 200 01 1
77	19	6 31 27 201 01 0
77	20	6 31 27 202 01 3
77	21	6 31 27 203 01 7
77	22	6 31 27 204 01 5
77	23	6 31 27 205 01 9
77	24	6 31 27 206 01 2
77	25	6 31 27 207 01 6
77	26	6 31 27 208 01 4
77	27	6 31 27 209 01 8
77	28	6 31 27 210 01 0
77	29	6 31 27 211 01 9
77	30	6 31 27 212 01 2
77	31	6 31 27 213 01 6
77	32	6 31 27 214 01 4

5% cobalt alloy for long service life in inch sizes. Effective length 35 mm

L mm	Bore Ø	Order Reference
77	7/16"	6 31 27 224 01 3
77	1/2"	6 31 27 225 01 7
77	9/16"	6 31 27 226 01 0
77	5/8"	6 31 27 227 01 4
77	11/16"	6 31 27 228 01 2
77	3/4"	6 31 27 229 01 6
77	13/16"	6 31 27 230 01 8
77	7/8"	6 31 27 231 01 7
77	15/16"	6 31 27 232 01 0
77	1"	6 31 27 233 01 4
77	1 1/16"	6 31 27 234 01 2
77	1 1/8"	6 31 27 235 01 6
77	1 3/16"	6 31 27 236 01 9
77	1 1/4"	6 31 27 237 01 3
77	1 5/16"	6 31 27 242 01 9
77	1 3/8"	6 31 27 243 01 3
77	1 7/16"	6 31 27 244 01 1
77	1 1/2"	6 31 27 245 01 5
77	1 9/16"	6 31 27 246 01 8
77	1 5/8"	6 31 27 247 01 2
77	1 11/16"	6 31 27 248 01 0
77	1 3/4"	6 31 27 249 01 4
77	1 13/16"	6 31 27 250 01 6
77	1 7/8"	6 31 27 251 01 5
77	1 15/16"	6 31 27 252 01 8
77	2"	6 31 27 253 01 2
77	2 1/16"	6 31 27 254 01 0

HSS PRIMA core drill set

consisting of 2 QuickIN core drills, HSS Prima, Ø 9/16", 1 1/16", 1 5/16" and centring pin in plastic carrying case



Order Reference 6 31 27 226 02 6

Core drill with FEIN thread

HM ULTRA 50 core drill with thread M 18 x 6 P 1.5

Effective length 50 mm.



Bore Ø mm	Length mm	Order Reference
12	82	6 31 27 042 01 4
13	82	6 31 27 043 01 8
14	82	6 31 27 044 01 6
15	82	6 31 27 045 01 0
16	82	6 31 27 046 01 3
17	82	6 31 27 047 01 7
18	82	6 31 27 001 01 5
19	82	6 31 27 019 01 2
20	82	6 31 27 002 01 8
21	82	6 31 27 020 01 4
22	82	6 31 27 003 01 2
23	82	6 31 27 021 01 3
24	82	6 31 27 022 01 6
25	82	6 31 27 004 01 0
26	78	6 31 27 005 01 4
27	78	6 31 27 023 01 0
28	78	6 31 27 006 01 7
29	78	6 31 27 024 01 8
30	78	6 31 27 007 01 1
31	78	6 31 27 025 01 2
32	78	6 31 27 008 01 9
33	78	6 31 27 026 01 5
34	78	6 31 27 009 01 3
35	78	6 31 27 010 01 5
36	78	6 31 27 027 01 9
37	78	6 31 27 028 01 7
38	78	6 31 27 011 01 4
39	78	6 31 27 029 01 1
40	78	6 31 27 012 01 7
41	78	6 31 27 030 01 3
42	78	6 31 27 013 01 1
43	78	6 31 27 014 01 9
44	78	6 31 27 031 01 2
45	78	6 31 27 015 01 3
46	78	6 31 27 032 01 5
47	78	6 31 27 033 01 9
48	78	6 31 27 016 01 6
49	78	6 31 27 034 01 7
50	78	6 31 27 017 01 0
51	78	6 31 27 035 01 1
52	78	6 31 27 018 01 8
53	78	6 31 27 036 01 4
54	78	6 31 27 037 01 8
55	78	6 31 27 038 01 6
56	78	6 31 27 039 01 0
57	78	6 31 27 040 01 2
58	78	6 31 27 041 01 1
59	78	6 31 27 049 01 9
60	78	6 31 27 050 01 1
61	78	6 31 27 051 01 0
62	78	6 31 27 052 01 3
63	78	6 31 27 053 01 7
64	78	6 31 27 054 01 5
65	78	6 31 27 055 01 9

Tungsten carbide tipped Core drill Bits "S" with thread M 18 x 6 P 1,5

for drilling rails (e.g. type UIC 60) and materials which are difficult to cut. Effective length 50 mm.

Bore Ø mm	Length mm	Order Reference
24	78	6 31 27 056 01 2
26	78	6 31 27 057 01 6
30	78	6 31 27 058 01 4
32	78	6 31 27 059 01 8
33	78	6 31 27 048 01 5
36	78	6 31 27 060 01 0

Core drill with Weldon adaptor

HM ULTRA 50 core drill with Weldon adaptor

Effective length 50 mm

Bore Ø mm	Length mm	Order Reference
12	86	6 31 27 276 01 0
13	86	6 31 27 277 01 0
14	86	6 31 27 278 01 0
15	86	6 31 27 279 01 0
16	86	6 31 27 280 01 0
17	86	6 31 27 281 01 0
18	86	6 31 27 282 01 0
19	86	6 31 27 283 01 0
20	86	6 31 27 284 01 0
21	86	6 31 27 285 01 0
22	86	6 31 27 286 01 0
23	86	6 31 27 287 01 0
24	86	6 31 27 288 01 0
25	86	6 31 27 289 01 0
26	86	6 31 27 290 01 0
27	86	6 31 27 291 01 0
28	86	6 31 27 292 01 0
29	86	6 31 27 293 01 0
30	86	6 31 27 294 01 0
31	86	6 31 27 295 01 0
32	86	6 31 27 296 01 0
33	86	6 31 27 297 01 0
34	86	6 31 27 298 01 0
35	86	6 31 27 299 01 0
36	86	6 31 27 300 01 0
37	86	6 31 27 301 01 0
38	86	6 31 27 302 01 0
39	86	6 31 27 303 01 0
40	86	6 31 27 304 01 0
41	86	6 31 27 305 01 0
42	86	6 31 27 306 01 0
43	86	6 31 27 307 01 0
44	86	6 31 27 308 01 0
45	86	6 31 27 309 01 0
46	86	6 31 27 310 01 0
47	86	6 31 27 311 01 0
48	86	6 31 27 312 01 0
49	86	6 31 27 313 01 0
50	86	6 31 27 314 01 0
51	86	6 31 27 315 01 0
52	86	6 31 27 316 01 0
53	86	6 31 27 317 01 0
54	86	6 31 27 318 01 0
55	86	6 31 27 319 01 0
56	86	6 31 27 320 01 0
57	86	6 31 27 321 01 0
58	86	6 31 27 322 01 0
59	86	6 31 27 323 01 0
60	86	6 31 27 324 01 0
61	86	6 31 27 325 01 0
62	86	6 31 27 326 01 0
63	86	6 31 27 327 01 0
64	86	6 31 27 328 01 0
65	86	6 31 27 329 01 0

Adaptor

QuickIN-adaptor

Output M18 x 6 P 1.5



Order Reference 6 39 01 020 00 6

Form H/Phillips, size 2



Order Reference 6 39 01 021 01 4

Drive Weldon Special special for core drills by ALFRA-Rotabest and Rotabroach with inner thread >= 6.4 mm (thick centering pin)



Order Reference 6 39 01 024 01 9

Output 1/2"



Order Reference 6 39 01 022 00 8

Output B 16



Order Reference 6 39 01 023 00 2

General accessories.

Centering pins

for QuickIN core drill



L	
mm	Order Reference
105	3 02 17 332 00 9

for QuickIN core drill to be used with adaptor

L	
mm	Order Reference
125	3 02 17 333 00 3

only for 7/16" HSS Prima core drill with QuickIN adaptor in connection with adaptor



L	
mm	Order Reference
125	3 02 17 337 00 2

for QuickIN core drill only for 7/16" HSS Prima core drill with QuickIN adaptor

L	
mm	Order Reference
85	3 02 17 338 00 0

Extension

for core drills, with QuickIN adaptor, for use on confined, deep, or layered surfaces, through holes possible as of Ø 36 mm. Length 100 mm incl. centring pin.



Order Reference	6 31 06 016 01 0
------------------------	-------------------------

Tapping rapid change chuck

Size 2, with QuickIN adaptor, for tapping drills (DIN 374/376) in connection with tapping inserts with or without slipping clutch M 6 - M 16.



Order Reference	9 26 02 079 01 0
------------------------	-------------------------

Tapping Unit

with QuickIN adaptor for tapping drills M 6 to M 20, incl. torque support.



Order Reference	9 26 02 072 01 2
------------------------	-------------------------

for all KBM 65 machines, shank M.T. 3, incl. torque support, for tapping drills M 6 to M 20.



Order Reference	9 26 02 066 01 2
------------------------	-------------------------

Tapping Inserts

Tapping drills conforming to DIN 374/376



Thread	Order Reference
M 6	6 32 06 117 01 5
M 8	6 32 06 095 01 1
M 10	6 32 06 096 01 4
M 12	6 32 06 097 01 8
M 14	6 32 06 098 01 6
M 16	6 32 06 099 01 0
M 18	6 32 06 100 01 1
M 20	6 32 06 101 01 0

Inserts conforming to ISO norm available on request.

with safety coupling for blind holes.



Thread	Order Reference
M 6	6 32 06 118 01 3
M 8	6 32 06 102 01 3
M 10	6 32 06 103 01 7
M 12	6 32 06 104 01 5
M 14	6 32 06 105 01 9
M 16	6 32 06 106 01 2
M 18	6 32 06 107 01 6
M 20	6 32 06 108 01 4

Tapping drills available from specialist retailers

Suction plate

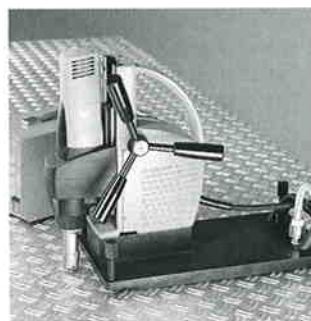
for anti-magnetic materials, 250 x 330 x 110 mm



Order Reference	9 26 02 054 01 6
------------------------	-------------------------

Vacuum plate

for anti-magnetic materials and structured bases (corrugated sheet, stud plate etc.) 396 x 200 x 77 mm

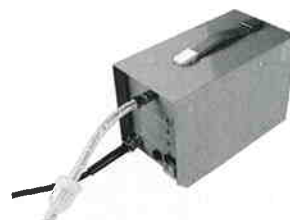


Order Reference	9 26 02 057 01 7
------------------------	-------------------------

The vacuum pump 9 26 01 022 01 3 is needed for this

Vacuum pump

Suction rate 0,015 m³/min, -0,8 bar, 92 W, weight 2,5 kg including suction hose



Order Reference	9 26 01 022 01 3
------------------------	-------------------------

Pipe drilling device

incl. clamping strap, for positioning bores on pipes with pipe Ø of 60 to 300 mm, 220 x 130 mm.



Order Reference	9 26 02 055 01 0
------------------------	-------------------------

QuickIN-adaptors

for bench and column drilling machines as well as all other core drilling units with MK 3 adaptors. Includes hand pump and centering pin for external cooling lubricant supply. For all FEIN core drills Ø 12-65 mm.



Taper	Order Reference
MK 3	6 39 01 019 01 3
MK 2	6 39 01 018 01 9

The appropriate adapters with QuickIN and the long centring pin 3 02 17 333 00 3 are required for the FEIN core drill with M 18x6 thread and Weldon fitting.

With integrated cooling lubricant supply for retrofitting the predecessor model KBM 65 (7 270 26) and KBM 65 F (7 270 23). For all FEIN core drills Ø 12-65 mm.



Taper	Order Reference
MK 3	6 39 01 017 01 1

The appropriate adapters with QuickIN and the long centring pin 3 02 17 333 00 3 are required for the FEIN core drill with M 18x6 thread and Weldon fitting.

Pump



Order Reference 3 21 32 022 00 7

KBM 52 U

Contact and swarf protection

prevents unwanted contact with rotating parts and increases passive safety. Also fits FEIN core drilling units KBM 32 Q and KBM 50 Q.



Order Reference 6 39 01 037 01 0

KBM 32 Q

Chipping protector



Order Reference 3 18 10 247 01 9

Bottle holder



Order Reference 3 02 40 247 00 2

Retro-fitting kit

for former model KBM 542 to QuickIN rapid change system.



Order Reference 6 39 01 028 01 8

Adapter with Weldon fitting for retro-fitting other manufacturers equipment to QuickIN rapid change system.



Order Reference 6 39 01 027 01 0

Accessory sets

Basic set

consisting of: 1 elastic sanding cylinder, 100 x 100 mm, grain 60, 1 lamb's fleece cylinder, 100 x 100 mm, grain 180; 1 sanding fleece, waved, 30 x 150 mm, M14; 1 work arbor; 10 sanding fleeces with Velcro, Ø 115 mm, fine; 1 supporting place with Velcro attachment, Ø 115 mm, M14; 1 INOX round brush, Ø 115 mm, M14; 2 keys



Order Reference 6 37 21 006 02 8

required: work arbour, 6 38 03 067 02 8 and holder 3 30 21 102 02 2

Pipe set

consisting of: 1 sanding belt roll (100 x 70 mm), 10 sanding belts (600 x 30 mm, grain 60) 10 sanding belts (600 x 30 mm, grain 120), 1 fleece belt (600 x 30 mm, medium), 1 fleece belt (600 x 30 mm, fine), 1 adhesive strip for sanding belts.



Order Reference 6 38 06 181 02 2

required: work arbour, 6 38 03 067 02 8 and holder 3 30 21 102 02 2

Matting set

1 lamella sanding disc, 150 x 50 mm, coarse, K 40 1 lamella sanding disc, 150 x 50 mm, medium, K 60; 1 lamella sanding disc, 150 x 50 mm, fine, K 80; 1 work arbor 15-50 mm; 2 keys.



Order Reference 6 37 21 003 02 3

Polishing-set

consisting of: 1 polishing ring (150 x 30 mm, sisal/cloth), 2 polishing rings (150 x 15 mm, firm cloth), 2 polishing rings (150 x 15 mm, soft cloth) 1 brush paste for sisal/cloth (yellow), 1 prepolishing paste for firm cloth (orange) 1 colouring paste for soft cloth (white), 1 work arbour (15-35 mm), 2 wrenches.



Order Reference 6 37 23 011 02 0

Accessories for the basic equipment

Elastic sanding cylinder
100 x 100 mm



Grain	Model	Order Reference
60	course	6 37 21 006 01 2
180	fine	6 37 21 007 01 6

Lamella fleece cylinder
100 x 100 mm



Grain	Model	Order Reference
100	medium	6 37 21 008 01 4
180	fine	6 37 21 009 01 8
280	very fine	6 37 21 010 01 0

Sanding fleece

with corrugated folds, width approx. 30 mm, bore hole 14 mm, for light finishing work, derusting, polishing, and decorative work



Ø mm	Order Reference
150	6 37 23 021 01 3
200	6 37 23 022 01 6

Ø 115 mm, with Velcro attachment, for use with support plate 6 38 06 172 01 0



Grain	No. in pack pcs	Order Reference
course	10	6 37 32 001 01 8
medium	10	6 37 32 002 01 1
fine	10	6 37 32 003 01 5

Backing pad

with Velcro attachment, for working with sanding fleece, M 14



Ø mm	Order Reference
115	6 38 06 172 01 0

INOX round brush

115 mm, M14



Order Reference 6 37 22 049 01 8

Pipe processing

Sanding strip roll

100 x 70 mm



Order Reference 6 38 06 181 01 6

Sanding strips

600 x 30 mm



Grain	No. in pack pcs	Order Reference
60	10	6 37 14 044 01 0
120	10	6 37 14 045 01 4
240	10	6 37 14 046 01 7

Adhesive strip

for sanding strips

Order Reference 6 38 09 004 01 9

Fleece strips

600 x 30 mm



Model	Order Reference
course	6 37 14 047 01 1
medium	6 37 14 048 01 9
fine	6 37 14 049 01 3

Viennese chalk

Special steel cleaning powder to remove polishing paste and finger prints, 1 kg

Order Reference 6 37 26 007 01 4

Matting

Abrasive fleece wheels

Ø 150 mm, 50 mm width, 14 mm bore for eliminating minor blemishes and producing a matt finish



Order Reference 6 37 21 003 01 7

for medium brush applications

Order Reference 6 37 21 004 01 5

for fine brush applications

Order Reference 6 37 21 005 01 9

Polishing

Polishing rings, Sisal, cloth

for fine finishing/brushing and levelling of non-ferrous metals following preliminary sanding with grain 240-280 using polishing paste "yellow".

- fine finishing/brushing and levelling of iron/steel, and stainless steel following preliminary sanding with grain 280-320 using polishing paste "yellow"

- matt-shining/brushing non-ferrous metals, iron/steel, and stainless steel using polishing paste "yellow".

- Preliminary polishing of iron/steel and stainless steel with preliminary polishing paste "orange" width about 30 mm, 14 mm bore



Ø mm	Order Reference
150	6 37 23 011 01 4
200	6 37 23 012 01 7

Polishing rings, hard cloth

Width approx. 15 mm, bore hole 14 mm, for preliminary polishing and polishing of non-ferrous metals, iron/steel, stainless steel with preliminary polishing paste "orange"



Ø mm	Order Reference
150	6 37 23 013 01 1
200	6 37 23 015 01 3

Polishing rings, soft cloth

Width approx. 15 mm, bore hole 14 mm, for high-gloss polishing of non-ferrous metals, iron/steel, stainless steel and chrome with final polishing paste "white"

Ø mm	Order Reference
150	6 37 23 014 01 9
200	6 37 23 016 01 6

Polishing rings, fleece, extra soft

Width approx. 15 mm, bore hole 14 mm, for final polishing of non-ferrous metals, iron/steel, stainless steel and many plastics with final polishing paste "white"

Ø mm	Order Reference
150	6 37 23 019 01 2
200	6 37 23 020 01 4

Polishing wheel

Ø 150 mm, width 60 mm, bore 14 mm for secondary polishing, grit 16, soft, green



Order Reference 6 37 13 013 01 8

for delicate surfaces, grit 24 (medium), soft, "blue"

Order Reference 6 37 13 015 01 0

for fine polishing, grit 46, soft, "brown"

Order Reference 6 37 13 016 01 3

also required: work arbour, order no. 6 38 03 066 02 4

Brushing paste

yellow, for Sisal/cloth for matt-shining of non-ferrous metals, iron/steel, and stainless steel



Order Reference 6 37 26 001 01 8

Preliminary polishing paste

orange, for firm cloth, for matt-shining and polishing of non-ferrous metals, iron/steel, and stainless steel



Order Reference 6 37 26 002 01 1

Rumbling paste

white, for soft cloth, for high-gloss polishing of non-ferrous metals, iron/steel, stainless steel, and chrome



Order Reference 6 37 26 003 01 5

Viennese chalk

Special steel cleaning powder to remove polishing paste and finger prints, 1 kg

Order Reference 6 37 26 007 01 4

Nettle buffer / Flannel buffer

Ø 250 mm, width 40 mm consisting of two parts for non ferrous metals, iron, steel, chrome - for prepolishing and polishing with prepolishing paste orange - for high gloss polishing with final polishing paste white



Model	Order Reference
Nettle	6 37 23 004 01 0
Flannel	6 37 23 005 01 4

also required: work arbour, order no. 6 38 03 066 02 4

Lambskin

with Velcro rapid attachment.



Ø mm	Order Reference
125	6 37 23 008 00 0
150	6 37 23 009 00 4
200	6 37 23 010 00 6

Polishing sponge

with Velcro rapid attachment, height 40 mm



Ø mm	Model	Order Reference
100	soft	6 37 23 024 01 8
100	hard	6 37 23 023 01 0
125	medium	6 37 23 017 01 0
150	medium	6 37 23 018 01 8
160	soft	6 37 23 026 01 5
160	hard	6 37 23 025 01 2

matching support plate:

for Ø 100 mm - support plate Ø 80 mm, for Ø 125 mm - support plate Ø 125 mm, for Ø 150 mm - support plate Ø 150 mm, for Ø 160 mm - Ø 130 mm

Backing pad

with Velcro attachment, M 14



Ø mm	Order Reference
80	6 38 06 179 01 5
125	6 38 06 169 01 6
130	6 38 06 178 01 1
150	6 38 06 170 01 8
200	6 38 06 171 01 7

Lambskin

with tensioning cord



Ø mm	Order Reference
120	6 37 23 007 00 2
170	6 37 23 003 00 3

Backing pad

for lamb's fleece with tensioning cord, rubber coated, M 14



Ø mm	Order Reference
120	6 38 06 012 00 8
170	6 38 06 030 00 4

for self-adhesive sanding sheets

Ø mm	Order Reference
80	6 38 06 180 01 7

Abrasive fleece wheel

Width 50 mm, for polishing stainless steel



Ø mm	Order Reference
200	6 37 21 001 00 1

also required: work arbour, order no. 6 38 03 066 02 4

Fine brushing

Nylon barrel brush

Ø 125 mm, grain 46, M 14, for brushing after removal by caustics, cleaning roof beams, restoration of antique furniture, roughing paint for new coats, deburring, and light derusting of metal parts



Order Reference 6 37 22 048 01 4

General accessories WPO

Holder

for side handle, 360° rotatable



Order Reference 3 30 21 102 02 2

Wheel arbor

for satin-finishing tools (cylinder and roller), clamp range 100 mm, chuck Ø 19 mm



Order Reference 6 38 03 067 02 8

with clamping flange M 14, for polishing rings, clamping range 15-35 mm



Order Reference 6 38 03 027 03 8

with clamping flange M 14, for abrasive fleece wheels, buffer, and polishing wheels clamping range 15-50 mm



Order Reference 6 38 03 066 02 4

Safety guard

as hand guard



Order Reference 3 02 29 216 00 5

Carrying case

metal 390 x 210 x 140 mm



Order Reference 3 39 01 045 01 8

Intensive cleaner

Contents ml	Order Reference
500	6 37 26 004 01 3

Polishing liquid

Contents ml	Order Reference
500	6 37 26 005 01 7

Sealing

Contents ml	Order Reference
400	6 37 26 006 01 0

Polishing-set

Order Reference 6 38 06 178 02 7

Additional handle

M 8, vibration absorbing, to reduce the vibrations during longer jobs.

Order Reference 3 21 19 119 01 7

System case

Carrying case filled

The metal case with universal fittings turns the SELECT package into a TOP version. 1 sanding pad, perforated for dust extraction, 5 perforated sanding sheets, grit size 60, 80, 120, 180, 1 dust extractor, complete with 2 hose connections for suction hose Ø 27/32 mm and 2 adaptors for standard domestic vacuum cleaners, 1 Mini-Cut set & diamond sharpening set, 1 carbide rasp (triangular).



Order Reference 3 39 01 099 03 4

Carrying case unfilled

Metal case with practical inner compartments, without machine and accessories. Optimally suited for storing the MultiMaster Start and SELECT.

Order Reference 3 39 01 099 01 2

Carrying case for the FEIN MULTIMASTER ACCU

1 rechargeable battery (800 mAh), 1 flat sanding pad for very narrow openings, 5 of each type of sanding sheet, grain 60, 80, 120, 180, 240, 320; 3 sanding fingers with 20 sanding sheets, grain 80; 1 carbide rasp (triangular)



Order Reference 3 39 01 099 08 1

Sawing

HSS saw blade



Ø mm	No. in pack pcs	Order Reference
63	1	6 35 02 096 02 3
63	2	6 35 02 096 01 7
80	1	6 35 02 097 02 7
80	2	6 35 02 097 01 1

Segment saw blade HSS



Ø mm	Order Reference
80	6 35 02 106 01 5

HSS saw blade cranked



Ø mm	Order Reference
90	6 35 02 144 01 4

Segment saw blade

cranked, only for soft materials



Ø mm	Order Reference
84	6 35 02 113 01 9

Depth stop ring

for saw blades Ø 63 and 80 mm without depressed centre



Order Reference 3 26 07 058 01 8

Cutting paste

Lubricating agents for working on sheet metals.

Order Reference 3 21 32 020 12 9

E-Cut standard saw blades

Crossed toothing for all wood, plasterboard, and plastics jobs. Length 50 mm



Width mm	No. in pack pcs	Order Reference
35	1	6 35 02 133 01 7
35	3	6 35 02 133 03 0

Length 50 mm



Width mm	No. in pack pcs	Order Reference
65	1	6 35 02 134 01 5
65	3	6 35 02 134 02 5

E-Cut precision saw blades

Double-row original Japan toothing, for top-precision cuts, and clean cutting edges even freely by hand. Length 50 mm



Width mm	No. in pack pcs	Order Reference
35	1	6 35 02 126 01 3
35	3	6 35 02 126 03 0

Length 50 mm



Width mm	No. in pack pcs	Order Reference
65	1	6 35 02 127 01 7
65	3	6 35 02 127 02 0

E-Cut universal saw blades

Bi-metal teeth, cranked, also suitable for radii, high speed cut, sheet metal (400 N/mm²) up to about 2 mm and plastics, aluminium profiles, copper pipes, wood, plasterboard, and almost all plastics. Length 60 mm



Width mm	No. in pack pcs	Order Reference
29	1	6 35 02 151 01 8
29	3	6 35 02 151 02 0

MiniCut & Diamond sharpening set

Consisting of: 1 saw blade holder, 2 saw blades (10 and 20 mm wide) for wood and other soft materials, 2 HSS saw blades (10 and 20 mm wide) for non-ferrous metals and plastic, 1 normal diamond file, 1 clamping plate 15°.



Order Reference 6 39 01 025 03 5

MiniCut saw blades

For wood and other soft materials, plunge depth 30 mm, pack of 2.



Width mm	Order Reference
10	6 35 02 132 01 3
20	6 35 02 131 01 0

HSS for non-ferrous metals and plastic, plunge depth 20 mm, pack of 2.



Width mm	Order Reference
10	6 35 02 130 01 1
20	6 35 02 129 01 9

Diamond file



Grit	Width mm	Order Reference
extra fine	10	6 37 06 014 02 6
fine	20	6 37 06 013 02 8
normal	20	6 37 06 012 02 4

Sanding

Set of sanding pads

Pack of 2, without holes



Order Reference 6 38 06 129 02 6

Set of sanding pads "plastic backed"

With plastic backing plate to avoid scratch marks. Pack of 2.

Order Reference 6 38 06 153 02 2

Set of sanding pads, "flat"

for very narrow openings (slats of window shutters etc.). Pack of 2

Order Reference 6 38 06 142 02 9

Set of sanding sheets

Consisting of: 10 sanding sheets, without holes, with hook and loop quick-attachment, grit 60, 80, 120, 180, 240.

Order Reference 6 37 17 082 03 3

Sanding sheets

Without holes, with hook and loop fastener quick-attachment, for universal use on almost all materials such as wood, metal, fibreglass reinforced plastics, plastic, paint, filler, welds, leather etc., fully synthetic-resin bonded, high sanding capacity, corundum



Grit	No. in pack	Order Reference
	pcs	
36	5	6 37 17 086 04 8
40	5	6 37 17 081 04 6
60	5	6 37 17 082 04 9
80	5	6 37 17 083 04 3
100	5	6 37 17 084 04 1
120	5	6 37 17 085 04 5
150	5	6 37 17 087 04 2
180	5	6 37 17 088 04 0
220	5	6 37 17 089 04 4
240	5	6 37 17 090 04 6
280	5	6 37 17 091 04 5
320	5	6 37 17 092 04 8
400	5	6 37 17 093 04 2

36	50	6 37 17 086 01 0
40	50	6 37 17 081 01 8
60	50	6 37 17 082 01 1
80	50	6 37 17 083 01 5
100	50	6 37 17 084 01 3
120	50	6 37 17 085 01 7
150	50	6 37 17 087 01 4
180	50	6 37 17 088 01 2
220	50	6 37 17 089 01 6
240	50	6 37 17 090 01 8
280	50	6 37 17 091 01 7
320	50	6 37 17 092 01 0
400	50	6 37 17 093 01 4

Sanding pad "Supersoft"

For special applications. This sanding pad may only be used in conjunction with the sanding sheets specified below. 2-pack

Order Reference 6 38 06 141 02 6

Sanding sheets "Supersoft"

Special sanding sheets for vehicle painting works, repairs, paint runs, overspraying, wheel-rim painting, etc. Only to be used in conjunction with the sanding pad 6 38 06 141 02 6.



Grit	No. in pack	Order Reference
	pcs	
240	50	6 37 17 126 01 5
320	50	6 37 17 127 01 9
400	50	6 37 17 128 01 7
500	50	6 37 17 179 01 6

Sanding set "stone"

Universal application in the fields of stone processing and stone products. Consists of 5 of each sanding sheet grades, without holes, grain 40, 80, 120, 220, 320, 400, 600, 800, 1 sanding pad, without holes, with aluminium and plastic backing plate, 1 felt polishing pad.

Order Reference 6 38 06 129 06 7

Sanding sheets "Stone"

Special sanding sheets for coarse and fine sanding of natural and artificial stone. Without holes with hook and loop fastening quick-attachment, fully synthetic-resin bonded, high sanding capacity, silicon carbide, dry sanding.



Grit	No. in pack	Order Reference
	pcs	
40	50	6 37 17 120 01 4
80	50	6 37 17 121 01 3
120	50	6 37 17 122 01 6
220	50	6 37 17 123 01 0
320	50	6 37 17 124 01 8
400	50	6 37 17 125 01 2
600	50	6 37 17 175 01 7
800	50	6 37 17 176 01 0

Profile grinding set

Consisting of 1 holder and 6 different profiles: 1 V-form for 90° angle, 1 trapezium for tongue-and-groove connections, 1 for straight profiles, 1 for convex forms (large), 1 each for concave and convex forms (small), as well as 5 sanding discs grit 80, 120, and 180.



Order Reference 6 38 06 183 01 3

Sand paper

Fits profile sanding set. Can be used universally on almost all materials, such as wood, metal, fibreglass, plastic, enamel, filling compound, soldering joints, leather, etc., high sanding capacity. Pack of 25.

Grit	Order Reference
80	6 37 17 217 01 6
120	6 37 17 218 01 4
180	6 37 17 219 01 8

Sanding finger

Extra long and narrow sanding fingers for use in extremely tight and hidden spots, in channels, grooves, openings, folds and joints. Also for mould-making, in concave and convex forms. The sanding finger can be adapted to the workpiece by bending. 2-pack.



Height	Order Reference
mm	
7	6 38 06 159 02 3
1	6 38 06 157 02 1

As above, but with Velcro attachment on top and underside. 2-pack.

Height	Order Reference
mm	
2	6 38 06 158 02 9

Sanding sheets for sanding fingers

With Velcro rapid attachment, fully bonded with artificial resin, high sanding capacity, corundum. For use on: wood, metal, soldered joints, fibreglass, plastic, paint, filler, leather. Pack of 20



Grit	No. in pack	Order Reference
	pcs	
40	20	6 37 17 184 01 2
60	20	6 37 17 185 01 6
80	20	6 37 17 186 01 9
100	20	6 37 17 187 01 3
120	20	6 37 17 188 01 1
150	20	6 37 17 189 01 5
180	20	6 37 17 190 01 7
220	20	6 37 17 191 01 6
240	20	6 37 17 192 01 9
280	20	6 37 17 193 01 3
320	20	6 37 17 194 01 1
400	20	6 37 17 195 01 5

Carbide rasp

carbide-coated
Perforated for dust extraction, triangular.



Order Reference 6 37 31 001 01 4

Finger shape, coated on both sides



Order Reference 6 37 31 002 01 7

Sanding with dust extraction.

Dust Extraction

2 sanding pads, perforated; 5 of each type of sanding sheet, perforated, grain 60, 80, 120; 1 extractor hood with suction tube; 2 hose nozzles for hose connection Ø 27 and 32 mm plus 2 adapters for connection to the most common domestic vacuum cleaners. For MSx 636 II and MSx 636 II.



Order Reference 9 26 02 063 02 3

for MSx 315.

Order Reference 9 26 02 065 02 5

Adapter hose

for connecting the dust extraction device to the most widely-used household dust extractors. The adapter hose is pushed onto the hose sleeve for hose connections of Ø 27 mm.

Model	Order Reference
	3 06 05 110 00 8
	3 06 05 109 00 6

Set of sanding pads

Pack of 2, with holes



Order Reference 6 38 06 136 02 9

Sanding sheets

With holes, with Velcro rapid attachment, fully synthetic resin-bonded, high sanding capacity, corundum. For all-round use with dust extractor on practically all materials, such as wood, metal, fibreglass-reinforced plastic, plastic, paint, filler, soldered joints, leather.



Grit	No. in pack	Order Reference
	pcs	
36	5	6 37 17 107 04 9
40	5	6 37 17 108 04 7
60	5	6 37 17 109 04 1
80	5	6 37 17 110 04 3
100	5	6 37 17 111 04 2
120	5	6 37 17 112 04 5
150	5	6 37 17 113 04 9
180	5	6 37 17 114 04 7
220	5	6 37 17 115 04 1
240	5	6 37 17 116 04 4
280	5	6 37 17 117 04 8
320	5	6 37 17 118 04 6
400	5	6 37 17 119 04 0

36	50	6 37 17 107 01 1
40	50	6 37 17 108 01 9
60	50	6 37 17 109 01 3
80	50	6 37 17 110 01 5
100	50	6 37 17 111 01 4
120	50	6 37 17 112 01 7
150	50	6 37 17 113 01 1
180	50	6 37 17 114 01 9
220	50	6 37 17 115 01 3
240	50	6 37 17 116 01 6
280	50	6 37 17 117 01 0
320	50	6 37 17 118 01 8
400	50	6 37 17 119 01 2

Set of sanding sheets

10 of each type of sanding sheet, perforated with Velcro rapid attachment, corundum, grit 60, 80, 120, 180, and 240.

Order Reference 6 37 17 109 03 5

FEIN "Dustex II"

Easy-to-use dust extractor for wet and dry use with automatic starting. The ideal dust extractor for the FEIN MULTIMASTER. Detailed information on "dust-free sanding" and extensive accessories for the FEIN vacuum cleaner can be found in the chapter Accessories / Dust extractor

**Polishing****Set of felt polishing pads**

For polishing metal parts, such as door and furniture fittings made of brass, etc., as well as for polishing and decorative polishing of stone and stone products. Gelcoat layers on boats can also be polished. Pack of 2.



Order Reference 6 38 06 140 02 7

Burnishing compounds for the respective material are available from specialist retailers.

Scraping.**Fixed Scraper Blade**

For removing residual carpet and tile glue, descaling, underfloor protection and damaged coatings, etc.



Order Reference 6 39 03 178 01 7

Flexible Scraper Blade

For removing layers of paint, adhesive remnants, stickers, elastic sealant in the domestic and sanitary sectors, etc., pack of 2.



Order Reference 6 39 03 165 01 3

Cutting out.**Carbide segment saw blade**

For cutting out marble and cement trass joints. Cranked saw blades allow you to cut at right angles without overcutting. Ø 63 mm



Order Reference 6 35 02 118 01 6

Diamond-coated saw blade

For cutting through marble and cement trass joints for small-scale repair of tiled surfaces in interiors and bathrooms, without creating much dust, and no risk of damage to neighbouring tiles; also suitable for cutting grooves in bricks, pumice stone, honeycomb stone and aerated concrete for installing electrical wiring. Long service life because of diamond coating. Also suitable for very old and hard sealant materials. Ø 63 mm.



Order Reference 6 35 02 105 01 2

Diamond-coated segment saw blade

For cutting out marble and cement trass joints in corners, without overcutting. The crank also permits work flush to the surface.



Order Reference 6 35 02 114 01 7

Cleaning block

Rhombus for cleaning the HM tools and diamond-coated tools.



Order Reference 6 37 19 007 01 0

Cutting.**Segment blade, concave**

For cutting soft materials e.g. felt, leather, polystyrene.



Order Reference 6 39 03 193 01 8

Segment blade, convex

For cutting rigid materials, e.g. floor tiles made of plastic, linoleum, rubber, cardboard, leather, wire meshing, looped fabric/carpets, and many others.



Order Reference 6 39 03 192 01 4

Panelled deck repairs.**Cutting blade**

For cutting away panelled deck sealant materials quickly and safely. Also ideal for difficult areas such as cabins, rails, gun-wales, cleats, and curves.



Blade width mm	Order Reference
3	6 39 03 200 01 7
4	6 39 03 201 01 6
5	6 39 03 202 01 9

Consolidating concrete.**Concrete compactor**

For consolidating concrete when concreting minor foundations. With this function, trapped air can be reliably prevented.



Order Reference 6 39 01 008 01 0

**General accessories
MultiMaster****Set of clamping screws**

For all FEIN MULTIMASTER accessories. Pack of 2.

Order Reference 4 30 33 087 06 5

Intermediate ring

Can be used for all FEIN MULTIMASTER accessories with star adaptor. The form-fitting adaptor provides up to 40% better torque transfer.

Order Reference 3 01 09 189 01 0

**Special accessories for
MSx 315****Dust Extraction**

for MSx 315.

Order Reference 9 26 02 065 02 5

Battery Charger

Charging time 40-100 minutes, power consumption 50 VA, charging current max. 1.7 A, weight 1.5 kg, cable length 1.2 m.

Order Reference 9 26 04 050 01 0

Storage battery

NiCd, 9.6 V, 800 mAh, 0.375 kg



Order Reference 9 26 04 007 02 6

NiMh, 9.6 V, 1700 mAh, 0.395 kg.

Order Reference 9 26 04 080 02 3

Hanging hook

For attaching to belt loop.

Order Reference 3 21 25 058 00 0



FEIN cutter blades for automobile glazing

U-shaped
short side, 2-pack



Cut length mm	Order Reference
10	6 39 03 083 01 0
16	6 39 03 095 01 1
16	6 39 03 108 01 4
18	6 39 03 087 01 9
19,5	6 39 03 118 01 3
22	6 39 03 115 01 8
24	6 39 03 076 01 6
28	6 39 03 163 01 1
32	6 39 03 147 01 2
36	6 39 03 079 01 2
40	6 39 03 110 01 0
60	6 39 03 101 01 0
70	6 39 03 155 01 4

long side, 2-pack



Cut length mm	Order Reference
18	6 39 03 127 01 4
32	6 39 03 114 01 4
32	6 39 03 191 01 1
45	6 39 03 154 01 0
52	6 39 03 153 01 2
60	6 39 03 107 01 6

reinforced design, 2-pack



Cut length mm	Order Reference
60	6 39 03 157 01 1
95	6 39 03 111 01 9

reinforced design, toothed, 2-pack.



Cut length mm	Order Reference
19	6 39 03 210 01 6
25,5	6 39 03 211 01 5
38	6 39 03 212 01 8

L-shaped
toothed, 2-pack.



Cut length mm	Order Reference
19	6 39 03 208 01 0
25,4	6 39 03 207 01 2
38	6 39 03 209 01 4

Straight form
Pack of 2



Cut length mm	Total length mm	Order Reference
26	56	6 39 03 121 01 8
40	90	6 39 03 176 01 5
110	145	6 39 03 194 01 6

Z-bend, 2-pack.



Cut length mm	Total length mm	Order Reference
19	68	6 39 03 122 01 1
18	84	6 39 03 181 01 2
23	65	6 39 03 173 01 0
25	65	6 39 03 124 01 3
27	85	6 39 03 174 01 8
32	110	6 39 03 123 01 5
70	120	6 39 03 171 01 3

curved, 2-pack



Cut length mm	Total length mm	Order Reference
14	65	6 39 03 120 01 9
16	75	6 39 03 104 01 5
35	75	6 39 03 103 01 7
35	75	6 39 03 109 01 8
35	75	6 39 03 164 01 9
35	75	6 39 03 172 01 6

curved, Z-bend, 2-pack



Cut length mm	Total length mm	Order Reference
45	120	6 39 03 168 01 8
70	120	6 39 03 125 01 7

Z-bend, with rigid depth stop, 2-pack.



Cut length mm	Total length mm	Order Reference
16	120	6 39 03 099 01 0
58	125	6 39 03 097 01 8

Z-bend, with adjustable depth stop, 2-pack



Cut length mm	Total length mm	Order Reference
16-43	100	6 39 03 143 01 3
18-39	100	6 39 03 170 01 4
20-35	100	6 39 03 198 01 5
60-76	120	6 39 03 169 01 2

flat, with adjustable depth stop, 2-pack.



Cut length mm	Total length mm	Order Reference
42-60	145	6 39 03 182 01 5

Z-bend, bent with rigid depth stop, 2-pack.



Cut length mm	Total length mm	Order Reference
46	120	6 39 03 179 01 1
54	120	6 39 03 160 01 5

Curved form

Z-bend, with rigid depth stop, 2-pack.



Cut length mm	Total length mm	Order Reference
11	85	6 39 03 189 01 0
14	80	6 39 03 082 01 6
16	80	6 39 03 133 01 4
39	85	6 39 03 152 01 8

Z-bend, with adjustable depth stop, 2-pack



Cut length mm	Total length mm	Order Reference
32-46	110	6 39 03 195 01 0

FEIN cargo cutter blades and accessories

L-shaped
toothed, 2-pack.



Cut length mm	Order Reference
25,4	6 39 03 207 01 2
38	6 39 03 209 01 4

Cutter blade, straight shape
toothed, 2-pack.



Cut length mm	Total length mm	Order Reference
35	56	6 39 03 073 01 1

Z-bend, toothed, 2-pack.

Cut length mm	Total length mm	Order Reference
60	120	6 39 03 081 01 3

Straight form

Z-bend, 2-pack.



Cut length mm	Total length mm	Order Reference
60	120	6 39 03 216 01 7

Angle cutter, 2-pack.

Cut length mm	Total length mm	Order Reference
65	85	6 39 03 177 01 9

Curved form

Z-bend, 2-pack.



Cut length mm	Total length mm	Order Reference
45	80	6 39 03 072 01 7

U-shaped

with elongated traverse, 2-pack.



Cut length mm	Order Reference
40	6 39 03 156 01 7

Hook-shaped

toothed, 2-pack.



Cut length mm	Order Reference
38	6 39 03 217 01 1

Segment blade

Segment form for V-cut from outside and for cuts in corners, 2-pack



Cut length mm	Total length mm	Order Reference
30	73	6 39 03 132 01 0

Traction cable

with grip. Use is recommended when cutting out from outside with L-shaped or hook-shaped cutter blade. Easier work and less effort when cutting out glass panes from problem spots on buses, commercial vehicles, trams and locomotives.



Order Reference 9 26 02 030 01 4

Work gloves

Vibration-attenuating, certified according to EN 388/420, EN ISO 10819, EEC No. 0200, No. in pack 1 pair



Size	Order Reference
9 L	3 21 73 003 00 3
10 XL	3 21 73 004 00 1
11 XXL	3 21 73 005 00 5

FEIN accessories for removing residual bonding beads

Scraper knife

Spade-shaped, with scratch-protective coating, 2-pack.



Cut length mm	Total length mm	Order Reference
12	64	6 39 03 129 05 0
18	65	6 39 03 146 01 8
25	64	6 39 03 105 01 9

with cross cutter and scratch-protective coating on front limit stop, 2-pack.



Cutting width mm	Order Reference
13	6 39 03 113 01 6
25	6 39 03 131 01 7

with cross cutter, 2-pack.



Cutting width mm	Order Reference
13	6 39 03 144 01 1

Scraper knife set

consisting of: 1 each of spade-shaped scraper knife, with scratch-protective coating (forms 129/105).



Order Reference 6 39 03 129 01 6

consisting of: 1 each of scraper knife with cross cutter and scratch-protective coating on front limit stop (form 113/131).



Order Reference 6 39 03 113 02 2

Scraper blade

For levelling and for piercing through the adhesive material



Order Reference 6 39 01 007 00 3

FEIN accessories for the automobile workshop

Removal Device

for dismantling rear and side glass panes without damaging the vulcanised sealing lip. For VW-Golf III and VW Polo after 1995, Lupo, Passat V estate car, tailgate. Consisting of 1 sliding guide and 2 cutter blades (form 197 a. 113).



Order Reference 9 06 07 003 01 3

Cutter blade, straight shape

curved, Z-bend, as subsequent order for removal device 9 06 07 001 01 6, 2-pack.



Order Reference 6 39 03 197 01 7

toothed, 2-pack.



Cut length mm	Total length mm	Order Reference
35	56	6 39 03 073 01 1

Z-bend, toothed, 2-pack.



Cut length mm	Total length mm	Order Reference
60	120	6 39 03 081 01 3

Saw blades

HSS, with fine teeth for precise cutting. Universal deployment on metal sheet of approx. 1 mm, also doubled, and plastics. 2-pack.



Ø mm	Order Reference
63	6 35 02 102 01 6
80	6 35 02 103 01 0

HSS, cropped, countersunk attachment screw for flush working, pack of 1.



Ø mm	Order Reference
85	6 35 02 145 01 8
100	6 35 02 137 01 6

M-Cut Saw Blade

For cuts, cut-outs, and grooves in sheet metal, plastics, fibreglass, and carbon fibre-reinforced plastic; 2-pack.



Width mm	Length mm	Order Reference
30	50	6 35 02 138 01 4

E-Cut universal saw blades

Bi-metal teeth, cranked, also suitable for radii, high speed cut, sheet metal (400 N/mm²) up to about 2 mm and plastics, aluminium profiles, copper pipes, wood, plasterboard, and almost all plastics. Length 60 mm



Width mm	No. in pack pcs	Order Reference
28	1	6 35 02 147 01 5
28	5	6 35 02 147 02 1

Length 60 mm



Width mm	No. in pack pcs	Order Reference
44	1	6 35 02 148 01 3
44	5	6 35 02 148 02 9

Cutting paste

Lubricating agents for working on sheet metals.

Order Reference 3 21 32 020 12 9

Scraper blade

for removing floor covering remains, underseal and residual bonding material, etc., pack of 1



Order Reference 6 39 03 206 01 8

Adapter

Needed for fitting accessories with round adapters (e.g. for rasping, sanding, and polishing).

Order Reference 3 06 05 114 01 1

Set of sanding pads

Pack of 2, without holes



Order Reference 6 38 06 129 02 6

Set of sanding sheets

Consisting of: 10 sanding sheets, without holes, with hook and loop quick-attachment, grit 60, 80, 120, 180, 240.



Order Reference 6 37 17 082 03 3

FEIN has a comprehensive range of sand papers. You can get detailed information from your local FEIN dealer.

Accessory sets for automobile glaziers, cargo and automobile workshops

Automobile glazier accessory set

Subsequent order to Professional set Automobile glazier, consisting of: 3 L-shaped cutter blades, toothed (form 207), 1 each of L-shaped cutter blade, toothed (forms 208 and 209), 1 each of U-shaped cutter blade, reinforced design (forms 157 and 111), also 1 U-shaped cutter blade, reinforced design, toothed (form 212).



Order Reference 6 39 03 167 38 3

Automobile workshop accessories set

Subsequent order to Professional set Automobile workshop consisting of: 2 U-shaped cutter blades, short side (form 076), 1 each of U-shaped cutter blade, short side (forms 079 and 101), 1 L-shaped cutter blade, toothed (form 207), 1 straight cutter blade, Z-bend, with adjustable roller stop (form 143), 1 spade-shaped scraper knife with scratch-protective coating (form 129), 1 stopper knife, 1 HSS saw blade (Ø 80 mm).



Order Reference 6 39 03 167 25 7

Accessory sets for automobile glaziers, cargo and automobile workshops

Subsequent order to Professional set Cargo consisting of: 2 straight cutter blades, toothed (form 073), 1 straight cutter blade, Z-bend, toothed (form 081), 1 hook-shaped cutter blade, toothed (form 217), 1 curved cutter blade, Z-bend, (form 072), 1 each of L-shaped cutter blade, toothed (forms 207 and 209), 1 spade-shaped scraper knife, with scratch-protective coating (form 105), 1 traction cable, 1 depth stop



Order Reference 6 39 03 167 32 0

Set of sanding sheets

Consisting of: 10 sanding sheets, without holes, with hook and loop quick-attachment, grit 60, 80, 120, 180, 240.

Order Reference 6 37 17 082 03 3

Sanding set "stone"

Universal application in the fields of stone processing and stone products. Consists of 5 of each sanding sheet grades, without holes, grit 40, 80, 120, 220, 320, 400, 600, 800, 1 sanding pad, without holes, with aluminium and plastic backing plate, 1 felt polishing pad.

Order Reference 6 38 06 129 06 7

Sanding sheets "Stone"

Special sanding sheets for coarse and fine sanding of natural and artificial stone. Without holes with hook and loop fastening quick-attachment, fully synthetic-resin bonded, high sanding capacity, silicon carbide, dry sanding.



No. in pack

Grit	pcs	Order Reference
40	50	6 37 17 120 01 4
80	50	6 37 17 121 01 3
120	50	6 37 17 122 01 6
220	50	6 37 17 123 01 0
320	50	6 37 17 124 01 8
400	50	6 37 17 125 01 2
600	50	6 37 17 175 01 7
800	50	6 37 17 176 01 0

Dust extraction set

For all sanding and rasping jobs with triangular sanding pad and carbide rasp. incl. 2 sanding pads, perforated; 5 of each type of sanding sheet, perforated, grit 60, 80, and 120; 1 extractor hood with suction tube; 2 hose nozzles for hose connection Ø 27 and 32 mm plus 2 adapters for connection to the most common domestic vacuum cleaners.



Order Reference 9 26 02 074 01 4

Set of sanding pads

Pack of 2, with holes



Order Reference 6 38 06 136 02 9

Sanding sheets

With holes, with Velcro rapid attachment, fully synthetic resin-bonded, high sanding capacity, corundum. For all-round use with dust extractor on practically all materials, such as wood, metal, fibreglass-reinforced plastic, plastic, paint, filler, soldered joints, leather.



No. in pack

Grit	pcs	Order Reference
36	5	6 37 17 107 04 9
40	5	6 37 17 108 04 7
60	5	6 37 17 109 04 1
80	5	6 37 17 110 04 3
100	5	6 37 17 111 04 2
120	5	6 37 17 112 04 5
150	5	6 37 17 113 04 9
180	5	6 37 17 114 04 7
220	5	6 37 17 115 04 1
240	5	6 37 17 116 04 4
280	5	6 37 17 117 04 8
320	5	6 37 17 118 04 6
400	5	6 37 17 119 04 0

36	50	6 37 17 107 01 1
40	50	6 37 17 108 01 9
60	50	6 37 17 109 01 3
80	50	6 37 17 110 01 5
100	50	6 37 17 111 01 4
120	50	6 37 17 112 01 7
150	50	6 37 17 113 01 1
180	50	6 37 17 114 01 9
220	50	6 37 17 115 01 3
240	50	6 37 17 116 01 6
280	50	6 37 17 117 01 0
320	50	6 37 17 118 01 8
400	50	6 37 17 119 01 2

Set of sanding sheets

10 of each type of sanding sheet, perforated with Velcro rapid attachment, corundum, grit 60, 80, 120, 180, and 240.

Order Reference 6 37 17 109 03 5

FEIN "Dustex II"

Easy-to-use dust extractor for wet and dry use with automatic starting. The ideal dust extractor for the FEIN MULTIMASTER. Detailed information on "dust-free sanding" and extensive accessories for the FEIN vacuum cleaner can be found in the chapter Accessories / Dust extractor

Carbide rasp

carbide-coated
Perforated for dust extraction, triangular.



Order Reference 6 37 31 001 01 4

Finger shape, coated on both sides



Order Reference 6 37 31 002 01 7

Set of felt polishing pads

For polishing metal parts, such as door and furniture fittings made of brass, etc., as well as for polishing and decorative polishing of stone and stone products. Gelcoat layers on boats can also be polished. Pack of 2.



Order Reference 6 38 06 140 02 7

Burnishing compounds for the respective material are available from specialist retailers.

Accessories for tilers / plumbers

Segment blade

Diamond coated, also suitable for corners and radii and for working without overcutting. Cutting line approx. 2.2 mm, standard model for all marble, epoxy resin, and cement trass joints



Order Reference 6 39 03 162 01 7

Cutting line approx. 1.2 mm, for extremely narrow marble joints.
Cutting depth max. 10 mm. Not suitable for epoxy resin or trass cement joints.



Order Reference 6 39 03 196 01 3

Set of sanding pads

Diamond set, cranked, Ø 80 mm
Cutting line approx. 2.2 mm, standard design for all marble, epoxy resins and cement trass mortar.



Order Reference 6 35 02 115 01 1

Cutting line approx. 1.2 mm for extremely thin marbled mortar. Not suitable for epoxy resin and cement trass mortar.

Order Reference 6 35 02 116 01 4

Dust extraction device

For jobs with diamond-coated tools; tool-free mount. Hose connection Ø 32 mm.



Order Reference 9 26 02 075 01 8

Adapter

Needed for fitting accessories with round adapters (e.g. for rasping, sanding, and polishing).

Order Reference 3 06 05 114 01 1

Carbide rasp

carbide-coated
Perforated for dust extraction, triangular.



Order Reference 6 37 31 001 01 4

Dust extraction set

For all sanding and rasping jobs with triangular sanding pad and carbide rasp. incl. 2 sanding pads, perforated; 5 of each type of sanding sheet, perforated, grit 60, 80, and 120; 1 extractor hood with suction tube; 2 hose nozzles for hose connection Ø 27 and 32 mm plus 2 adapters for connection to the most common domestic vacuum cleaners.



Order Reference 9 26 02 074 01 4

FEIN "Dustex II"

Easy-to-use dust extractor for wet and dry use with automatic starting. The ideal dust extractor for the FEIN MULTIMASTER. Detailed information on "dust-free sanding" and extensive accessories for the FEIN vacuum cleaner can be found in the chapter Accessories / Dust extractor

Cutting blade

Mushroom-shaped, pack of 5, For cutting elastic silicon or acrylic connecting joints.



Order Reference 6 39 03 128 01 2

Scraper blade

for removing floor covering remains, underseal and residual bonding material, etc., pack of 1



Order Reference 6 39 03 206 01 8

Cleaning block

Rhombus for cleaning the HM tools and diamond-coated tools.



Order Reference 6 37 19 007 01 0

Accessories for renewing grouting/joints

Cutting blade

Straight shape. Universal blade for almost all expansion sealants. Pack of 5



Order Reference 6 39 03 117 01 5

Straight, long, for very deep joints, pack of 5



Order Reference 6 39 03 116 01 1

Cleaning block

Rhombus for cleaning the HM tools and diamond-coated tools.



Order Reference 6 37 19 007 01 0

Work gloves

Vibration-attenuating, certified according to EN 388/420, EN ISO 10819, EEC No. 0200, No. in pack 1 pair



Size	Order Reference
9 L	3 21 73 003 00 3
10 XL	3 21 73 004 00 1
11 XXL	3 21 73 005 00 5

Segment blade

Segment form for V-cut from outside and for cuts in corners, 2-pack



Cut length mm	Total length mm	Order Reference
30	73	6 39 03 132 01 0

Bail handle

To reduce the vibrations and for better handling of the FEIN SuperCut during longer jobs. Can be used in connection with the dust extraction device 9 26 02 075 01 8.



Order Reference 3 21 19 116 01 1

Cleaning blades

Straight, diamond-coated



Order Reference 6 39 03 161 01 4

Dust extraction device

For jobs with diamond-coated tools; tool-free mount. Hose connection Ø 32 mm.



Order Reference 9 26 02 075 01 8

Accessory sets

Accessory set for glaziers / window installers

Subsequent orders to professional set glaziers / window installers, consisting of 1 HSS saw blade, cranked, Ø 100 mm; 1 E-Cut standard saw blade (form 124); 1 each E-Cut universal saw blade (form 147, 148); 1 depth stop; 1 adapter; 1 sanding pad; 5 each sanding sheets, grit 80, 120, 180; 1 segment blade, toothed; 1 cutter blade, mushroom shaped



Order Reference 6 39 03 167 34 2

Carpenters / interior fitters accessory set

Subsequent order professional set carpenters / interior fitters consisting of: 1 each E-Cut "standard" saw blades (form 123, 124 a, 135, 136); 1 each E-Cut "precision" saw blades (form 119, 120 a, 121, 122); 1 each E-Cut "universal" saw blades (form 147, 148); 1 depth stop; 1 adapter; 1 sanding paste; 5 each sanding sheets, grit 80, 120, 180



Order Reference 6 39 03 167 35 8

Accessory set for tilers

Subsequent order to professional set tile layer, 1 segment blade, diamond coated (form 162); 1 segment blade, mushroom shaped; 1 stopper knife; 1 each E-Cut universal saw blade (form 147, 148); 1 adapter; 2 rasps, carbide-coated, triangular, perforated for dust extractor.



Order Reference 6 39 03 167 36 1